

MODEL 65089

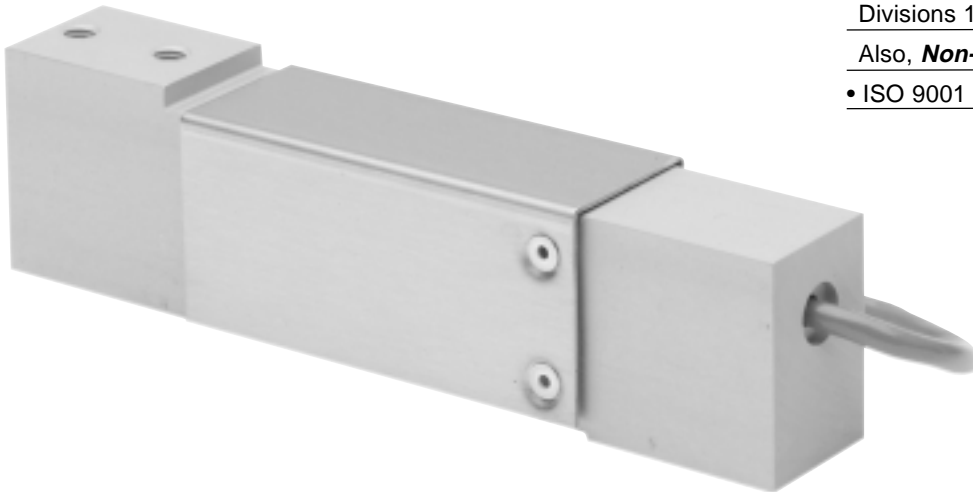
LOW PROFILE PLATFORM LOAD CELL

APPLICATIONS

- Single-point platform scales
- Belt conveyor scales
- Bench scales
- Checkweighing scales
- Hopper scales and netweighing

FEATURES

- Rated capacities of 10 to 100 pounds, 7 to 100 kilograms
- Low profile design
- Low sensitivity to moments induced by off-center loading
- Replacement for Model Teda 1040
- **Sensorgage™** sealed to IP61 standards
- **Cell Guard™** Two Year Warranty
- Factory Mutual System Approved for Classes I, II, III;
Divisions 1 and 2; Groups A through G.
Also, **Non-Incendive** ratings (No Barriers!).
- ISO 9001 Certified manufacturing facilities



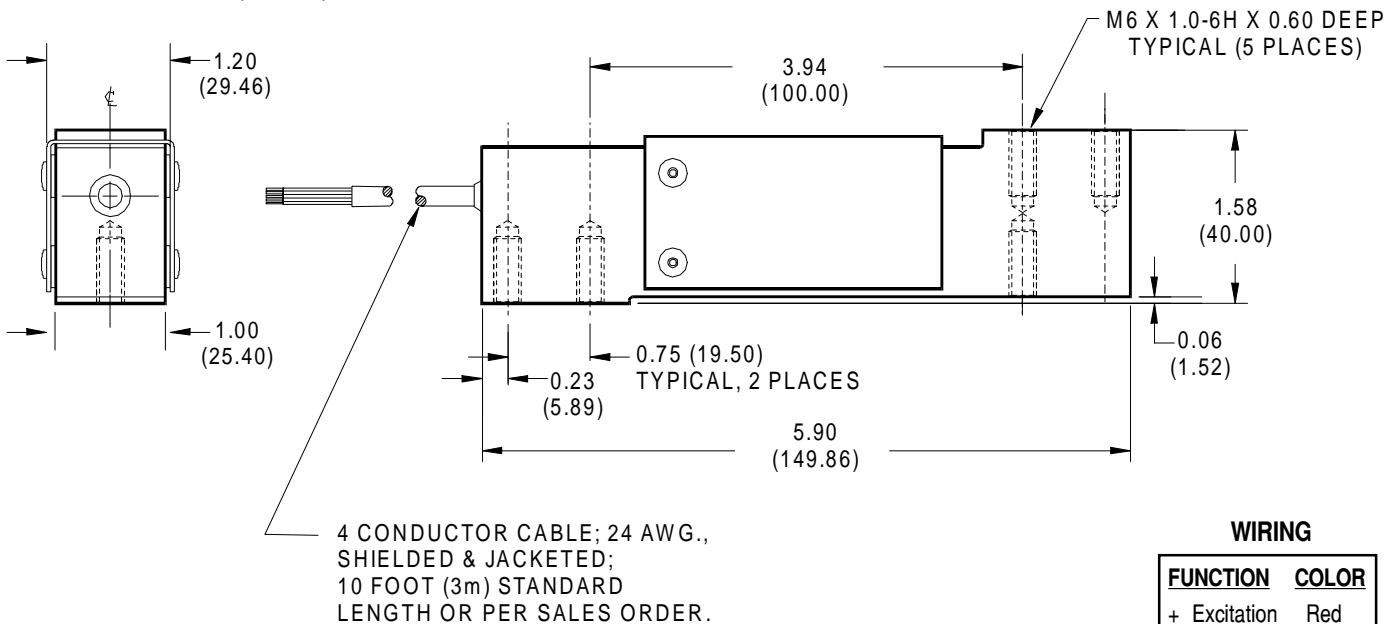
Les Balances LEDUC & THIBEAULT Inc.

Montréal : (514) 239-7060 Mercier : (450) 691-2111 Fax : (450) 691-6764
visit our website at www.leduc-thibeault.com E-mail: info@leduc-thibeault.com

Model 65089 Performance Specifications

Rated Capacities (lbs): 10, 15, 25, 50, 100
 (kgs): 7, 15, 30, 50, 100
 Full Scale Output (FSO): 2.0 mV/V \pm 10%

Accuracy Class:	<u>Standard</u>
Combined Error % FSO	$\leq .03$
Non-Linearity % FSO	$\leq .03$
Hysteresis % FSO	$\leq .02$
Creep Error % FSO	$\leq .03$ in 20 minutes
Temperature Effect on:	
• Zero % FSO/°F	≤ 0.0015
• Output % of Load/°F	≤ 0.0008
Non-Repeatability % FSO	$\leq .01$
Zero Balance % FSO	≤ 2.0
Insulation Resistance	> 1000 Mohms at 50VDC
Compensated Temperature Range	14° to 104°F / -10° to 40°C
Operating Temperature Range	0° to 150°F / -18° to 65°C
Storage Temperature Range	-60° to 185°F / -50° to 85°C
Input Resistance	380 Ohms
Output Resistance	349 - 355 Ohms
Recommended Excitation Voltage	10 Volts DC
Maximum Excitation Voltage	15 Volts DC
Safe Overload	150% of Rated Capacity
Ultimate Overload	300% of Rated Capacity
Sealing	Meets IP61 Standards
Material	Aluminum; Natural Finish
Weight	0.8 lbs.
Moment Compensation:	
• Moment Sensitivity	$\leq 0.01\%$ of applied load per inch
• Maximum Moment (inch-lbs.)	4 inches x capacity
• Platform Size (inches)	8 x 8



WIRING

FUNCTION	COLOR
+ Excitation	Red
- Excitation	Black
+ Output	Green
- Output	White

Dimensions are in inches (mm). Capacities are in pounds (kgs). Deflection is \pm 10%. Specifications are subject to change. Certified drawings are available.

Les Balances LEDUC & THIBEAULT Inc.

Montréal : (514) 239-7060 Mercier : (450) 691-2111 Fax : (450) 691-6764
 visit our website at www.leduc-thibeault.com E-mail: info@leduc-thibeault.com