

## MODEL 65086

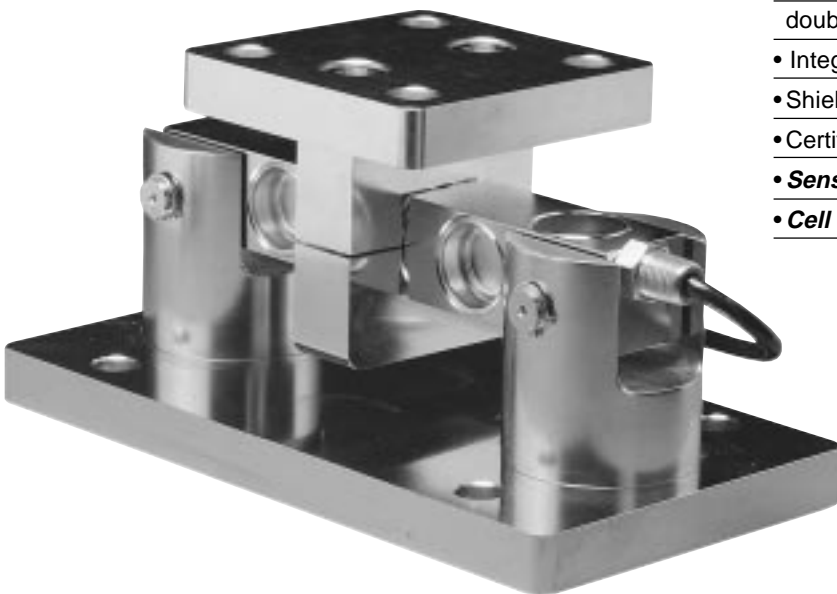
### SANIMOUNT WEIGH MODULE

#### APPLICATIONS

- "Sanitary" processing
  - Food & beverage
  - Pharmaceutical and biomedical
- Hostile environments
- Tank and reactor weighing
- Batching, blending and mixing systems
- Washdown environments

#### FEATURES

- Capacity ranges of 1,000 to 25,000 pounds
- Stainless steel construction throughout
- Passivated and electropolished finish
- All cavities sealed with FDA approved compounds
- Mounts directly to floor or structural support
- Employs Model 65016-0133W welded seal, stainless steel, double-ended shear beam load cell
- Integral conduit adaptor
- Shielded cable with tough teflon jacket
- Certified for Uniform Building Code Seismic Zones 1 thru 4
- **Sensorgage™** sealed to IP67 standards
- **Cell Guard™** Two Year Warranty
  - Factory Mutual System Approved for Classes I, II, III; Divisions 1 and 2; Groups A through G.
  - Also, **Non-Incendive** ratings (No Barriers!).
  - ISO 9001 Certified manufacturing facilities



Les Balances LEDUC & THIBEAULT Inc.

Montréal : (514) 239-7060    Mercier : (450) 691-2111    Fax : (450) 691-6764  
visit our website at [www.leduc-thibeault.com](http://www.leduc-thibeault.com)    E-mail: [info@leduc-thibeault.com](mailto:info@leduc-thibeault.com)

# Model 65086 Performance Specifications

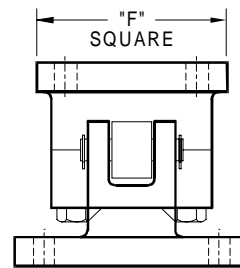
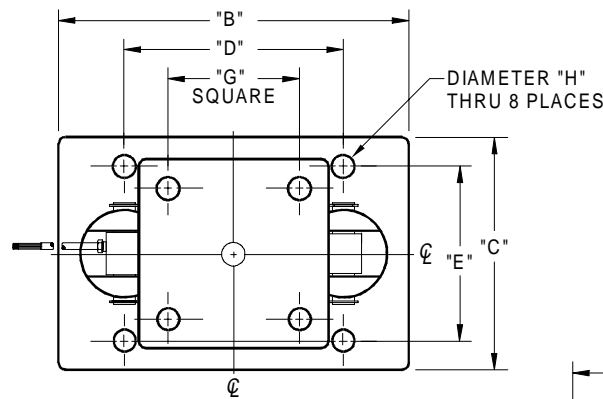
Rated Capacities (lbs): 1K, 1.5K, 2.5K, 5K, 10K, 15K, 25K

Full Scale Output (FSO): 3.0 mV/V  $\pm$  25%

Accuracy Class:

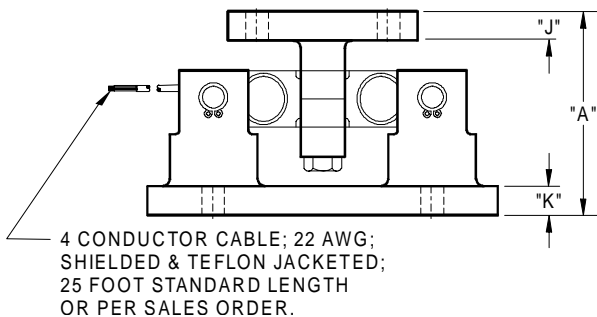
Standard

Combined Error % FSO	$\leq .03$
Non-Linearity % FSO	$\leq .03$
Hysteresis % FSO	$\leq .02$
Creep Error % FSO	$\leq .03$ in 20 minutes
Temperature Effect on:	
• Zero % FSO/°F	$\leq 0.0015$
• Output % of Load/°F	$\leq 0.0008$
Non-Repeatability % FSO	$\leq .01$
Zero Balance % FSO	$\leq 1.0$
Insulation Resistance	> 1000 Mohms at 50 VDC
Compensated Temperature Range	14° to 104°F/ -10° to 40°C
Operating Temperature Range	0° to 150°F/ -18° to 65°C
Storage Temperature Range	-65° to 185°F/ -50° to 85°C
Input Resistance	686 - 714 Ohms
Output Resistance	699 - 707 Ohms
Recommended Excitation Voltage	15 Volts DC
Maximum Excitation Voltage	25 Volts DC
Sideload Rejection Ratio	500:1
Safe Sideload	100% of Rated Capacity
Safe Overload	150% of Rated Capacity
Ultimate Overload	300% of Rated Capacity
Sealing	Meets IP67 Standards
Material	Stainless Steel
Finish	Polished and Passivated



## WIRING

FUNCTION	COLOR
+ Excitation	Red
- Excitation	Black
+ Output	Green
- Output	White



CAPACITY	A	B	C	D	E	F	G	H	J	K	Weight
1K - 5K	4.63	9.38	5.00	6.25	3.75	4.00	2.75	0.56	0.58	0.58	22.0
10K - 25K	6.75	12.00	8.00	7.50	6.00	8.00	6.00	0.78	0.96	0.70	72.0

Dimensions are in inches. Capacities are in pounds. Specifications are subject to change. Certified drawings are available.

Les Balances LEDUC & THIBEAULT Inc.

Montréal : (514) 239-7060    Mercier : (450) 691-2111    Fax : (450) 691-6764  
 visit our website at [www.leduc-thibeault.com](http://www.leduc-thibeault.com)    E-mail: [info@leduc-thibeault.com](mailto:info@leduc-thibeault.com)