

## MODEL 65083

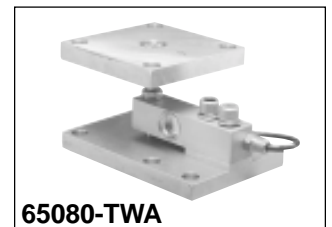
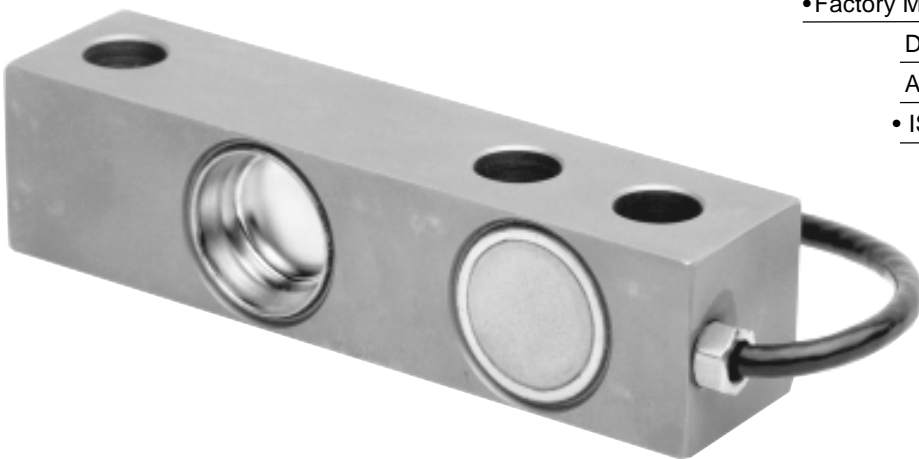
### STAINLESS STEEL, WELDED SEAL SHEAR BEAM LOAD CELL

#### APPLICATIONS

- Hostile environments
  - Food & beverage processing
  - Chemical and plastics processing
  - Pharmaceutical and biomedical processing
- Washdown and Clean-In-Place environments
- Tank, bin and hopper weighing
- Batching, blending and mixing systems

#### FEATURES

- Rated capacities of 1,000 to 20,000 pounds
- Stainless steel, welded seal construction
- Interchangeable with standard Sensortronics shear beams
- Companion weigh module available
  - 65080 Stainless Steel *TantaMount*
- Extended temperature ranges available
- Integral conduit adaptor with teflon jacketed cable available
- **Sensorgage™** sealed to IP67 standards
- **Cell Guard™** Two Year Warranty
- Factory Mutual System Approved for Classes I, II, III;  
Divisions 1 and 2; Groups A through G.  
Also, **Non-Incendive** ratings (No Barriers!)
- ISO 9001 Certified manufacturing facilities



ISO  
9001



Factory  
Mutual  
System  
Approved



65080-TWA

Les Balances LEDUC & THIBEAULT Inc.

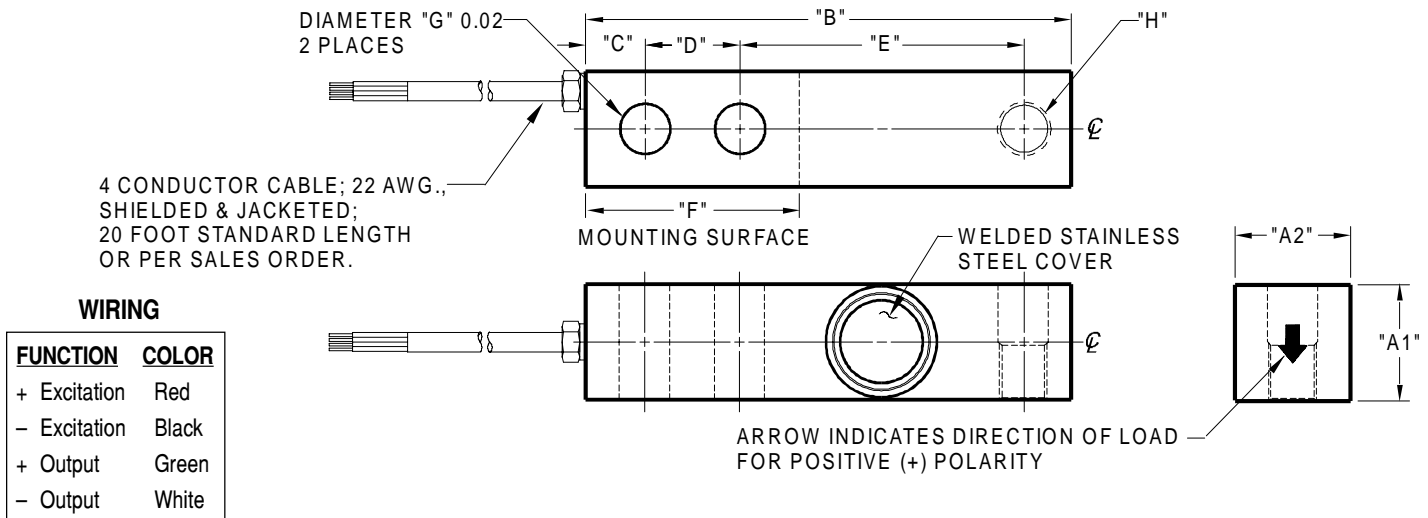
Montréal : (514) 239-7060    Mercier : (450) 691-2111    Fax : (450) 691-6764  
visit our website at [www.leduc-thibeault.com](http://www.leduc-thibeault.com)    E-mail: [info@leduc-thibeault.com](mailto:info@leduc-thibeault.com)

# Model 65083 Performance Specifications

Rated Capacities (lbs): 1K, 1.5K, 2.5K, 4K, 5K, 10K, 15K, 20K  
 Full Scale Output (FSO): 2.0 mV/V  $\pm$  0.25% (NTEP/OIML)  
 3.0 mV/V  $\pm$  0.25%

| Accuracy Class:                 | Standard                 | NTEP III <sup>(1)</sup>      | NTEP IIII <sup>(1)</sup> | OIML R60 <sup>(1)</sup> |
|---------------------------------|--------------------------|------------------------------|--------------------------|-------------------------|
| Max. No. Verification Intervals | --                       | 5,000<br>Multiple            | 10,000<br>Multiple       | 3,000                   |
| Combined Error % FSO            | $\leq .03$               | --                           | --                       | --                      |
| Non-Linearity % FSO             | $\leq .03$               | --                           | --                       | --                      |
| Hysteresis % FSO                | $\leq .02$               | --                           | --                       | --                      |
| Creep Error % FSO               | $\leq .03$ in 20 minutes | --                           | --                       | --                      |
| Temperature Effect on:          |                          |                              |                          |                         |
| • Zero % FSO/°F                 | $\leq 0.0015$            | --                           | --                       | --                      |
| • Output % of Load/°F           | $\leq 0.0008$            | --                           | --                       | --                      |
| Non-Repeatability % FSO         |                          |                              | $\leq .01$               |                         |
| Zero Balance % FSO              |                          |                              | $\leq 1.0$               |                         |
| Insulation Resistance           |                          | > 1000 Mohms at 50VDC        |                          |                         |
| Compensated Temperature Range   |                          | 14° to 104°F / -10° to 40°C  |                          |                         |
| Operating Temperature Range     |                          | 0° to 150°F / -18° to 65°C   |                          |                         |
| Storage Temperature Range       |                          | -60° to 185°F / -50° to 85°C |                          |                         |
| Input Resistance                |                          | 343-357 Ohms                 |                          |                         |
| Output Resistance               |                          | 349-355 Ohms                 |                          |                         |
| Recommended Excitation Voltage  |                          | 10 Volts DC                  |                          |                         |
| Maximum Excitation Voltage      |                          | 15 Volts DC                  |                          |                         |
| Sideload Rejection Ratio        |                          | 500:1                        |                          |                         |
| Safe Sideload                   |                          | 100% of Rated Capacity       |                          |                         |
| Safe Overload                   |                          | 150% of Rated Capacity       |                          |                         |
| Ultimate Overload               |                          | 300% of Rated Capacity       |                          |                         |
| Sealing                         |                          | Meets IP67 Standards         |                          |                         |
| Material                        |                          | Stainless Steel              |                          |                         |

<sup>(1)</sup> Note: 1K -10K Capacities Only



| CAPACITY | A1   | A2   | B    | C    | D    | E    | F    | G    | H  | Deflection    | Weight |
|----------|------|------|------|------|------|------|------|------|--|---------------|--------|
| 1K - 4K  | 1.22 | 1.22 | 5.12 | 0.62 | 1.00 | 3.00 | 2.25 | 0.53 | 1/2-20 UNF-2B, $\emptyset$ 0.53 x 0.61 DEEP C'BORE | 0.008 - 0.026 | 4.0    |
| 5K-SE*   | 1.22 | 1.22 | 5.12 | 0.62 | 1.00 | 3.00 | 2.25 | 0.53 | 1/2-20 UNF-2B, $\emptyset$ 0.53 x 0.61 DEEP C'BORE | 0.008 - 0.026 | 4.0    |
| 5K - 10K | 1.50 | 1.50 | 6.75 | 0.75 | 1.50 | 3.75 | 3.00 | 0.78 | 3/4-16 UNF-2B, $\emptyset$ 0.78 x 0.75 DEEP C'BORE | 0.030 - 0.055 | 6.5    |
| 15K -20K | 2.00 | 2.00 | 8.75 | 1.00 | 2.00 | 4.88 | 4.00 | 1.06 | 1-14 UNS-2B, $\emptyset$ 1.06 x 1.00 DEEP C'BORE   | 0.025 - 0.032 | 9.0    |

Dimensions are in inches. Capacities are in pounds. Deflection is  $\pm$ 10%. Specifications are subject to change. Certified drawings are available.  
 \*SE denotes "Small Envelope". A 5K capacity is available in the 1K/4K dimensional envelope.

Les Balances LEDUC & THIBEAULT Inc.

Montréal : (514) 239-7060 Mercier : (450) 691-2111 Fax : (450) 691-6764  
 visit our website at [www.leduc-thibeault.com](http://www.leduc-thibeault.com) E-mail: [info@leduc-thibeault.com](mailto:info@leduc-thibeault.com)