

MODEL 65059 TWA

TANK WEIGHING ASSEMBLY

APPLICATIONS

- Tank, bin and hopper weighing
- Batching, blending and mixing
- Low Capacity Weighing

FEATURES

- Rated capacities of 50 to 2,500 pounds
- Steel or stainless steel construction
- Low profile design
- Mounts directly to floor or structural support
- Unique neoprene isolation mount accommodates shock/vibration, thermal expansion and load mis-alignment
- Trade certified for NTEP Class III L:10,000 divisions; Class III:5,000 divisions and OIML R60 3,000 divisions in 1,000 to 2,500 pounds range
- **Sensorgage™** sealed to IP65/67 standards
- **Cell Guard™** Two Year Warranty
- Factory Mutual System Approved for Classes I, II, III; Divisions 1 and 2; Groups A through G. Also, **Non-Incendive** ratings (No Barriers!).
- ISO 9001 Certified manufacturing facilities

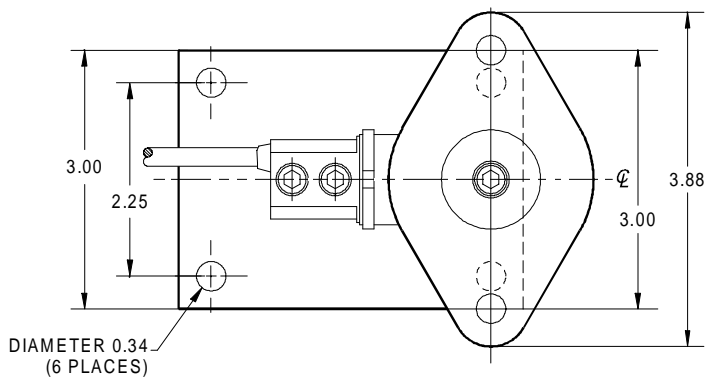


Les Balances LEDUC & THIBEAULT Inc.

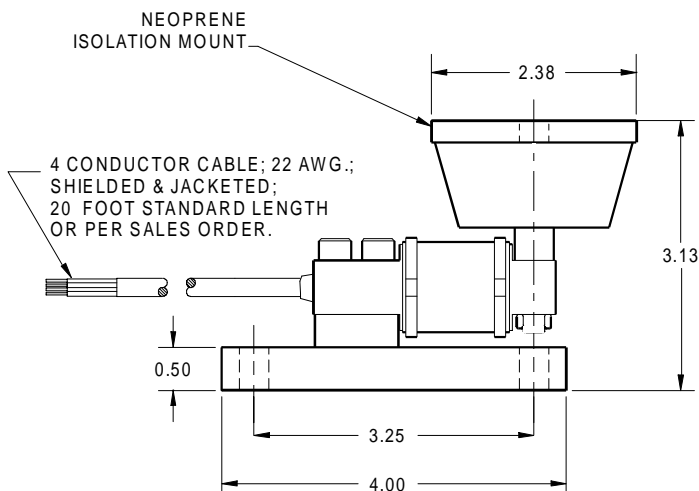
Montréal : (514) 239-7060 Mercier : (450) 691-2111 Fax : (450) 691-6764
visit our website at www.leduc-thibeault.com E-mail: info@leduc-thibeault.com

MODEL 65059 TWA

TANK WEIGHING ASSEMBLY



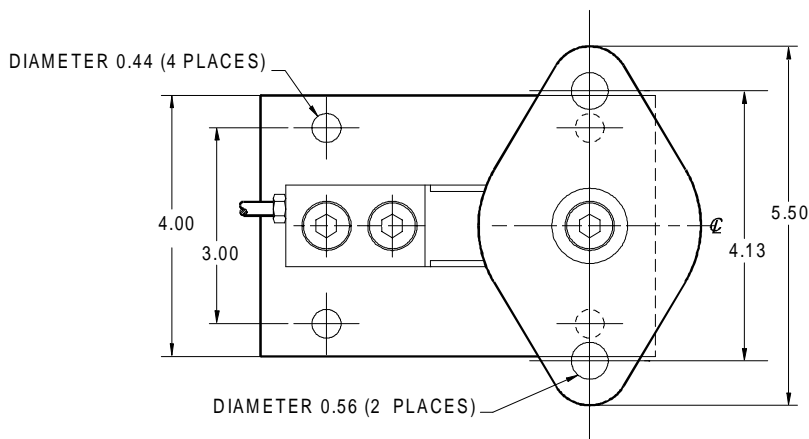
Capacity
50 - 250 (lbs)



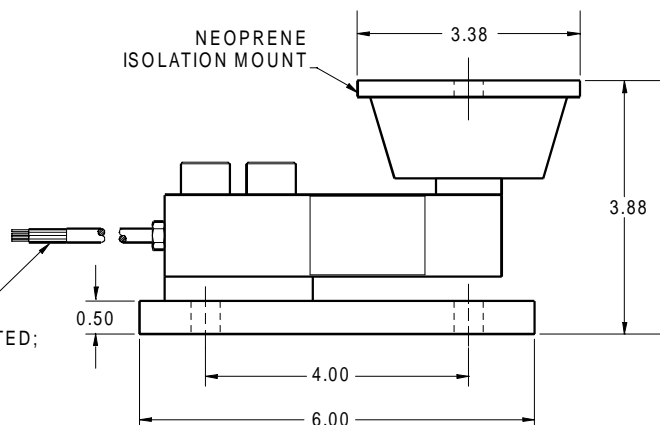
WIRING

FUNCTION	COLOR
+ Excitation	Red
- Excitation	Black
+ Output	Green
- Output	White

Specifications are subject to change. Certified drawings are available. Dimensions are in inches. Capacities are in pounds.

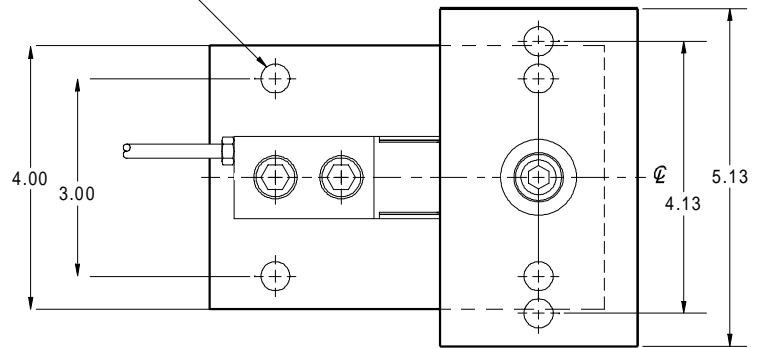


Capacity
500 (lbs)



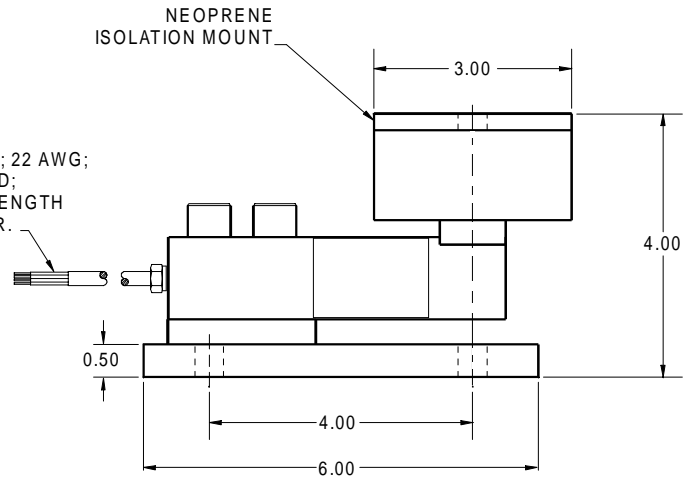
MODEL 65059 TWA TANK WEIGHING ASSEMBLY

DIAMETER 0.44 (6 PLACES)

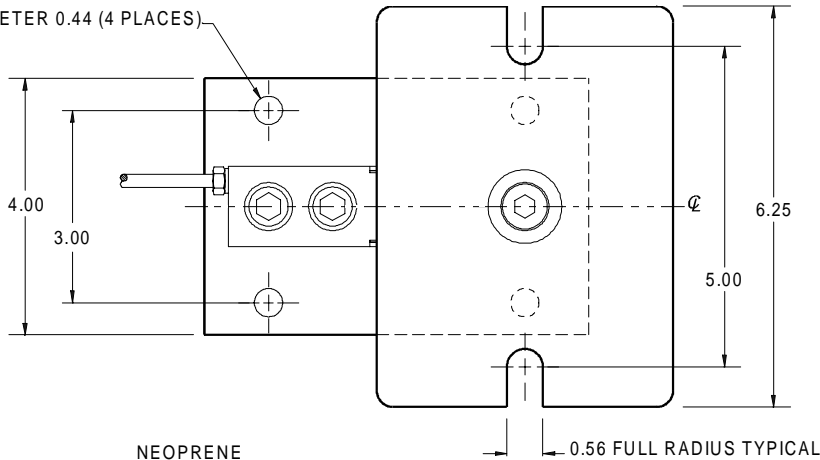


Capacity
1K (lbs)

4 CONDUCTOR CABLE; 22 AWG;
SHIELDED & JACKETED;
20 FOOT STANDARD LENGTH
OR PER SALES ORDER.



DIAMETER 0.44 (4 PLACES)

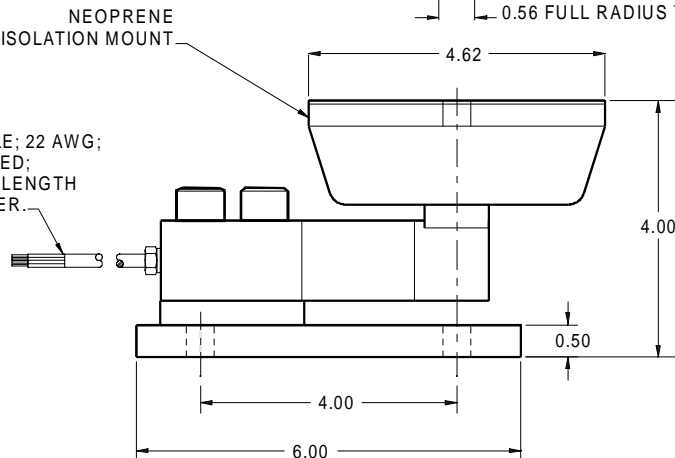


WIRING

FUNCTION	COLOR
+ Excitation	Red
- Excitation	Black
+ Output	Green
- Output	White

Specifications are subject to change. Certified drawings are available. Dimensions are in inches. Capacities are in pounds.

4 CONDUCTOR CABLE; 22 AWG;
SHIELDED & JACKETED;
20 FOOT STANDARD LENGTH
OR PER SALES ORDER.



Capacity
1.5K, 2K, 2.5K (lbs)

Model 65059 TWA Performance Specifications

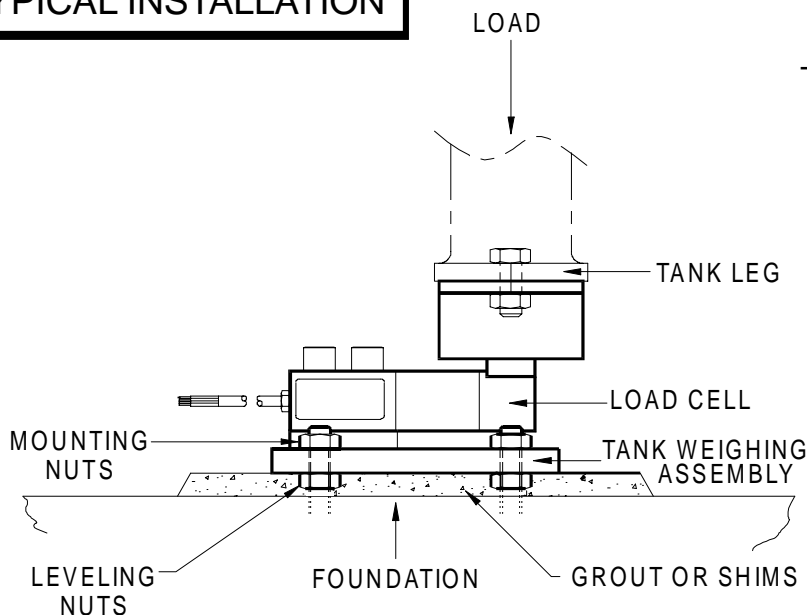
Rated Capacities (lbs): 50, 75, 100, 150, 250, 500, 1K, 1.5K, 2K, 2.5K

Full Scale Output (FSO): 3.0 mV/V \pm 0.25%

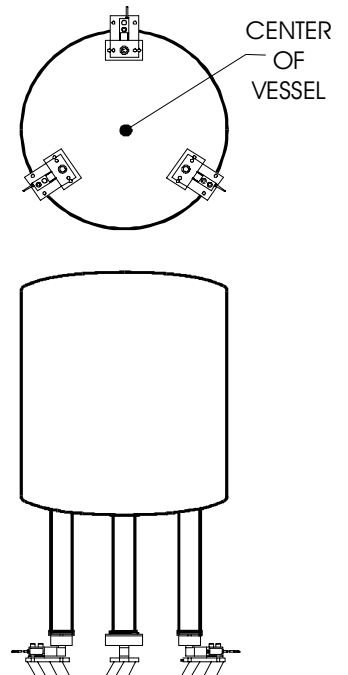
Accuracy Class:	Standard	NTEP III ⁽¹⁾	NTEP III L ⁽¹⁾	OIML R60 ⁽¹⁾
Max. No. Verification Intervals	--	5,000 Multiple	10,000 Multiple	3,000
Combined Error % FSO	$\leq .03$	--	--	--
Non-Linearity % FSO	$\leq .03$	--	--	--
Hysteresis % FSO	$\leq .02$	--	--	--
Creep Error % FSO	$\leq .03$ in 20 minutes	--	--	--
Temperature Effect on:				
•Zero % FSO/°F	≤ 0.0015	--	--	--
•Output % of Load/°F	≤ 0.0008	--	--	--
Non-Repeatability % FSO	$\leq .01$	--	--	--
Zero Balance % FSO	≤ 1.0	--	--	--
Insulation Resistance		> 1000 Mohms at 50VDC		
Compensated Temperature Range		14° to 104°F / -10° to 40°C		
Operating Temperature Range		0° to 150°F / -18° to 65°C		
Storage Temperature Range		-60° to 185°F / -50° to 85°C		
Capacities: 50 - 250 lbs				
Input Resistance		380-450 Ohms		
Output Resistance		349-355 Ohms		
Capacities: 500 - 2.5K lbs				
Input Resistance		343-357 Ohms		
Output Resistance		349-355 Ohms		
Recommended Excitation Voltage		10 Volts DC		
Maximum Excitation Voltage		15 Volts DC		
Safe Overload		150% of Rated Capacity		
Ultimate Overload		300% of Rated Capacity		
Sealing:				
•50 - 250 lbs. Capacities		Meets IP65 Standards		
•500 - 2.5K Capacities		Meets IP67 Standards		
Material		Alloy Tool Steel or Stainless Steel		
Finish (Alloy Tool Steel):				
•Load Cell		Electroless Nickel Plated		
•Assembly		Zinc Plated		

⁽¹⁾ Note: 1K - 2.5K Capacities Only

TYPICAL INSTALLATION



Vessel with
Three Supports



Les Balances LEDUC & THIBEAULT Inc.

Montréal : (514) 239-7060 Mercier : (450) 691-2111 Fax : (450) 691-6764
visit our website at www.leduc-thibeault.com E-mail: info@leduc-thibeault.com