

MODEL 65058 TSA

TRUCK SCALE ASSEMBLY

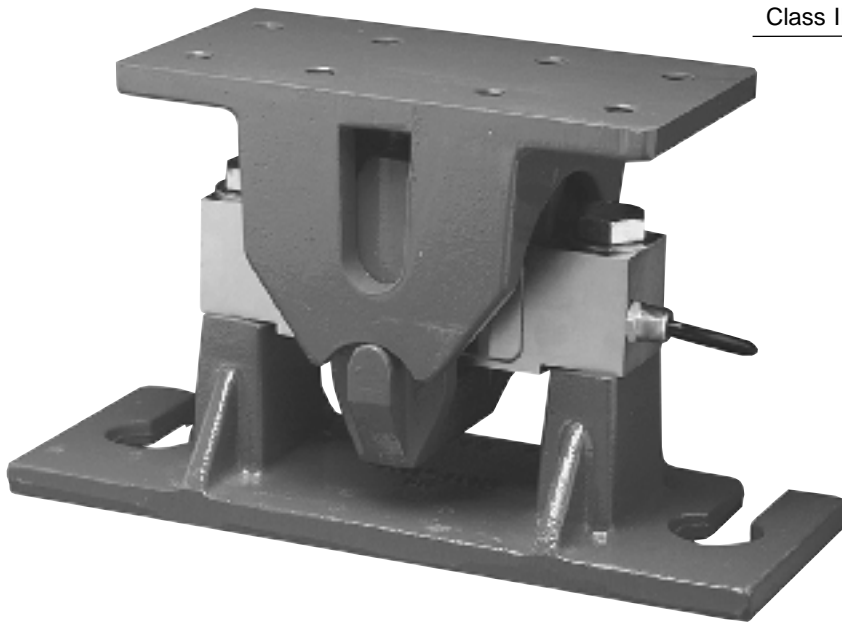
APPLICATIONS

- Truck Scales
- Railroad track scales
- "Legal for Trade" tank, bin and hopper weighing

FEATURES

- Rated capacities of 10,000 to 75,000 pounds
- High quality cast components
- *Unilink™* "floating" suspension system allows controlled floating of the scale deck
- Incorporates model 65058 double-ended shear beam load cells
- Optional load equalizer pads available
- Trade certified for NTEP Class III:5,000 and 10,000 divisions; Class III:5,000 divisions available

- *Sensorgage™* sealed to IP67 standards
- *Cell Guard™* Two Year Warranty
- Factory Mutual System Approved for Classes I, II, III; Divisions 1 and 2; Groups A through G.
- Also, *Non-Incendive* ratings (No Barriers!).
- ISO 9001 Certified manufacturing facilities



65058



65058S



Model 65058 TSA Performance Specifications

Rated Capacities (lbs): 10K, 20K, 25K, 50K, 60K, 75K
 Full Scale Output (FSO): 3.0 mV/V ± 0.25%

Accuracy Class:	Standard	NTEP III	NTEP IIII	OIML R60
Max. No. Verification Intervals	--	5,000 Multiple	10,000 Multiple	3,000
Combined Error % FSO	≤ .03	--	--	--
Non-Linearity % FSO	≤ .03	--	--	--
Hysteresis % FSO	≤ .02	--	--	--
Creep Error % FSO	≤ .03 in 20 minutes	--	--	--
Temperature Effect on:				
• Zero % FSO/°F	≤ 0.0015	--	--	--
• Output % of Load/°F	≤ 0.0008	--	--	--
Non-Repeatability % FSO		≤ .01		
Zero Balance % FSO		≤ 1.0		
Insulation Resistance		> 1000 Mohms at 50 VDC		
Compensated Temperature Range		14° to 104°F / -10° to 40°C		
Operating Temperature Range		0° to 150°F / -18° to 65°C		
Storage Temperature Range		-60° to 185°F / -50° to 85°C		
Input Resistance		686-714 Ohms		
Output Resistance		699-707 Ohms		
Recommended Excitation Voltage		15 Volts DC		
Maximum Excitation Voltage		25 Volts DC		
Safe Sideload		100% of Rated Capacity		
Safe Overload		150% of Rated Capacity		
Ultimate Overload		300% of Rated Capacity		
Sideload Rejection Ratio		500:1		
Sealing		Meets IP67 Standards		

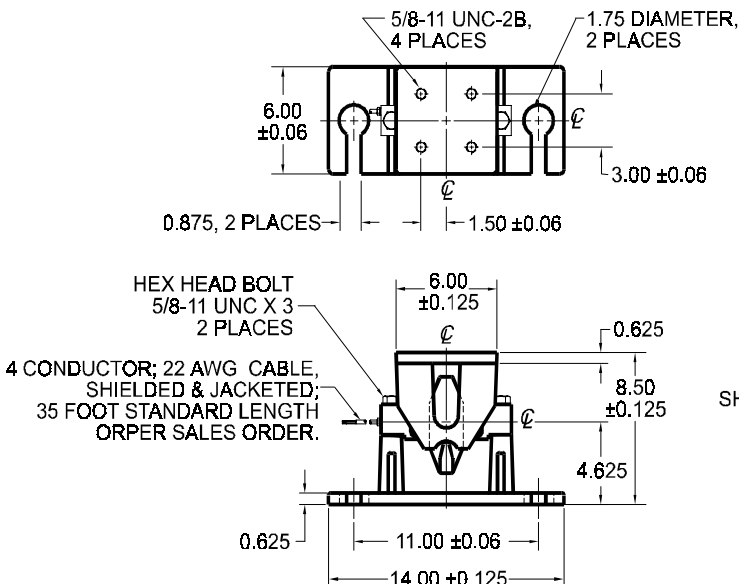
Material: Alloy Tool Steel or Stainless Steel
 Cast Steel and Iron

Finish: Electroless Nickel Plated or Stainless Steel
 Primer Coating

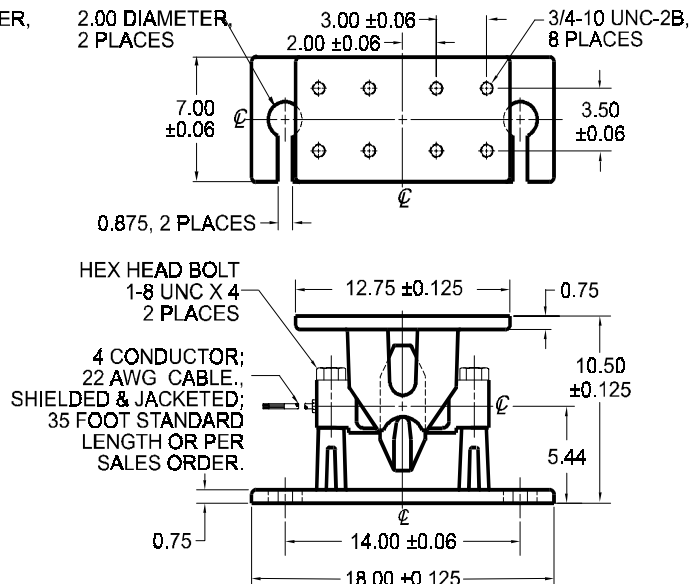
WIRING

FUNCTION	COLOR
+ Excitation	Red
- Excitation	Black
+ Output	Green
- Output	White

10K, 20K, 25K



50K, 60K, 75K



Les Balances LEDUC & THIBEAULT Inc.

Montréal : (514) 239-7060 Mercier : (450) 691-2111 Fax : (450) 691-6764
 visit our website at www.leduc-thibeault.com E-mail: info@leduc-thibeault.com