

MODEL 65058

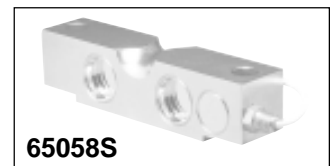
DOUBLE-ENDED SHEAR BEAM LOAD CELL

APPLICATIONS

- Truck scales
- Railroad track scales
- Precision tank, bin and silo weighing
- Level and inventory monitoring

FEATURES

- Rated capacities of 10,000 to 500,000 pounds
- Center-link loaded
- 65058S stainless steel, welded seal version available
- 65058-TSA companion assemblies for vehicle scales
- 65069-TWA companion assemblies for vessel weighing
- Integral conduit adaptor
- Trade certified for NTEP Class III:10,000 divisions;
Class III:5,000 divisions and OIML R60 3,000 divisions
in 20,000 to 200,000 pounds range
- **Sensorgage™** sealed to IP67 standards
- **Cell Guard™** Two Year Warranty
 - Factory Mutual System Approved for Classes I, II, III;
Divisions 1 and 2; Groups A through G.
 - Also, **Non-Incendive** ratings (No Barriers!).
 - ISO 9001 Certified manufacturing facilities



65058S



65058-TSA



65069-TWA



Model 65058 Performance Specifications

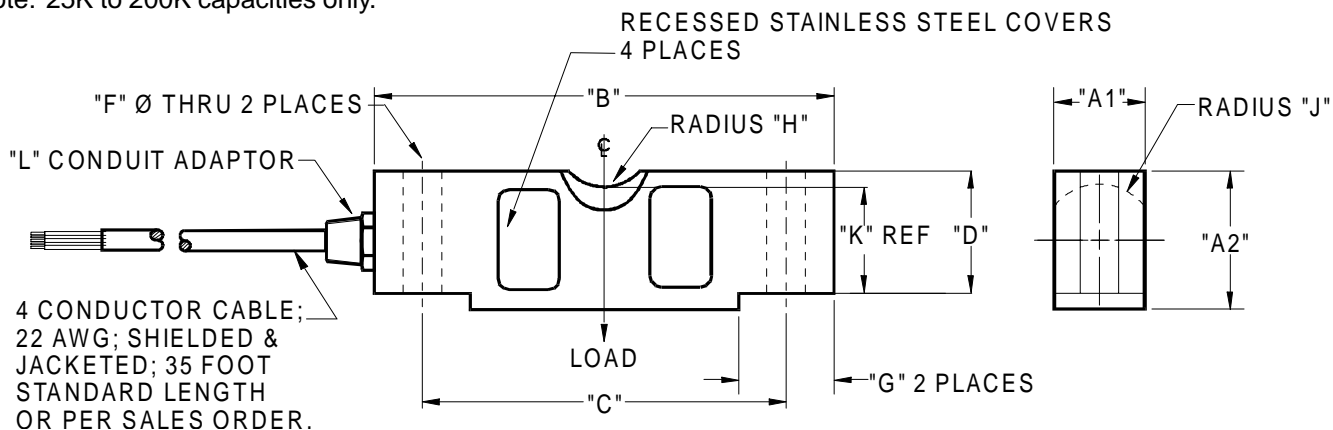
Rated Capacities (lbs): 10K, 25K, 40K, 50K, 60K, 75K, 100K, 125K, 150K, 200K⁽¹⁾

Full Scale Output (FSO): 3.0 mV/V ± 0.25%

Accuracy Class:	Standard	NTEP III ⁽²⁾	NTEP IIII ⁽²⁾	OIML R60 ⁽²⁾
Max. No. Verification Intervals	--	5,000 Multiple	10,000 Multiple	3,000
Combined Error % FSO	≤ .03	--	--	--
Non-Linearity % FSO	≤ .03	--	--	--
Hysteresis % FSO	≤ .02	--	--	--
Creep Error % FSO	≤ .03 in 20 minutes	--	--	--
Temperature Effect on:				
• Zero % FSO/°F	≤ 0.0015	--	--	--
• Output % of Load/°F	≤ 0.0008	--	--	--
Non-Repeatability % FSO		≤ .01		
Zero Balance % FSO		≤ 1.0		
Insulation Resistance		> 1000 Mohms at 50VDC		
Compensated Temperature Range		14° to 104°F / -10° to 40°C		
Operating Temperature Range		0° to 150°F / -18° to 65°C		
Storage Temperature Range		-60° to 185°F / -50° to 85°C		
Input Resistance		686-714 Ohms		
Output Resistance		699-707 Ohms		
Recommended Excitation Voltage		15 Volts DC		
Maximum Excitation Voltage		25 Volts DC		
Sideload Rejection Ratio		500:1		
Safe Sideload		100% of Rated Capacity		
Safe Overload		150% of Rated Capacity		
Ultimate Overload		300% of Rated Capacity		
65058	• Sealing • Material/Finish		Meets IP67 Standards	
		Alloy Tool Steel/Electroless Nickel Plated		

⁽¹⁾ Note: Consult factory for higher capacities.

⁽²⁾ Note: 25K to 200K capacities only.



WIRING

FUNCTION	COLOR
+ Excitation	Red
- Excitation	Black
+ Output	Green
- Output	White

CAPACITY	A1	A2	B	C	D	F	G	H	J	K	L	Weight
10K - 25K	1.69	1.94	7.75	6.50	1.70	0.68	1.38	0.75	0.90	1.63	1/4 - 18 NPT	9.0
40K	1.94	2.44	10.25	8.50	2.10	0.81	1.93	1.00	1.12	2.00	1/4 - 18 NPT	11.0
50K - 75K	2.44	2.94	10.25	8.50	2.65	1.06	1.93	1.00	1.37	2.54	1/2 - 14 NPT	20.0
100K -125K	2.90	3.86	15.25	12.75	3.43	1.62	3.13	1.50	1.80	3.30	1/2 - 14 NPT	40.0
150K -200K	3.80	5.80	19.25	15.25	5.12	1.62	4.00	2.00	2.37	4.44	1/2 - 14 NPT	96.0

Dimensions are in inches. Capacities are in pounds. Specifications are subject to change. Certified drawings are available.

Les Balances LEDUC & THIBEAULT Inc.

Montréal : (514) 239-7060 Mercier : (450) 691-2111 Fax : (450) 691-6764
visit our website at www.leduc-thibeault.com E-mail: info@leduc-thibeault.com