

MODEL 65040-1127W

ALLOY TOOL STEEL, WELDED
SEALED, DOUBLE-ENDED SHEAR
BEAM LOAD CELL

APPLICATIONS

- Truck scales
- Railroad track scales

FEATURES

- Rated capacities of 50,000 to 100,000 pounds,
20 to 50 metric tons
- Center supported, end-link loaded
- Integral conduit adaptor
- Replacement for RTI model 5223 and compatible load cells
- Trade certified for NTEP Class III L:10,000 divisions
and OIML R60:3,000 divisions
- **Sensorgage™** sealed to IP67 standards
- **Cell Guard™** Two Year Warranty
- Factory Mutual System Approved for Classes I, II, III;
Divisions 1 and 2; Groups A through G.
Also, **Non-Incendive** ratings (No Barriers!).
- ISO 9001 Certified manufacturing facilities



Les Balances LEDUC & THIBEAULT Inc.

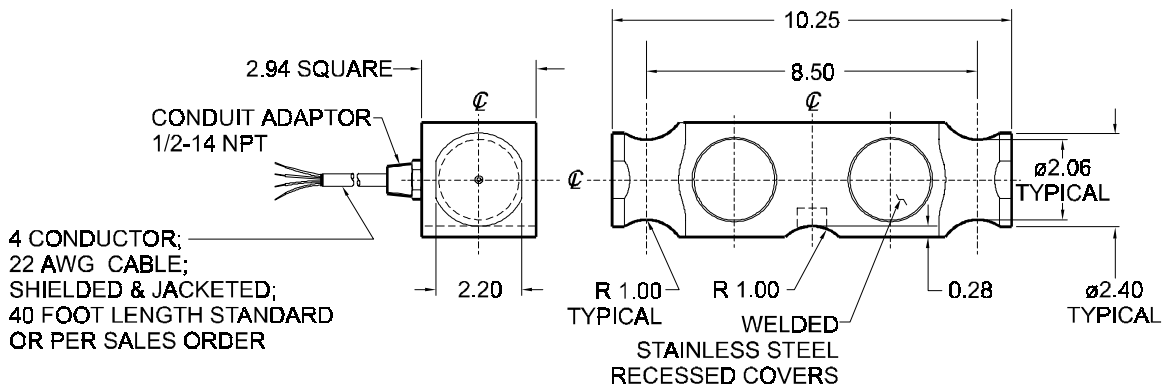
Montréal : (514) 239-7060 Mercier : (450) 691-2111 Fax : (450) 691-6764
visit our website at www.leduc-thibeault.com E-mail: info@leduc-thibeault.com

MODEL 65040-1127W Performance Specifications

Rated Capacities (lbs): 50K, 65K, 100K⁽¹⁾
 (tons): 20t, 30t, 50t
 Full Scale Output (FSO): 3.0 mV/V ± 0.25%

Accuracy Classes	Standard	NTEP IIII	OIML R60
Max. No. Verification Intervals	--	10,000 Multiple	3,000
Combined Error % FSO	≤.03	--	
Non-Linearity % FSO	≤.03	--	
Hysteresis % FSO	≤.02	--	
Creep Error % FSO	≤.03 in 20 minutes	--	
Temperature Effect on:			
• Zero % FSO/°F	≤ 0.0015	--	
• Output % of Load/°F	≤ 0.0008	--	
Non-Repeatability % FSO		≤ .01	
Zero Balance % FSO		≤ 1.0	
Insulation Resistance		> 1000 Mohms at 50VDC	
Compensated Temperature Range		14° to 104°F / -10° to 40°C	
Operating Temperature Range		0° to 150°F / -18° to 65°C	
Storage Temperature Range		-60° to 185°F / -50° to 85°C	
Input Resistance		686-714 Ohms	
Output Resistance		699-707 Ohms	
Recommended Excitation Voltage		10-15 Volts DC	
Maximum Excitation Voltage		25 Volts DC	
Sideload Rejection Ratio		500:1	
Safe Sideload		100% of Rated Capacity	
Safe Overload		150% of Rated Capacity	
Ultimate Overload		300% of Rated Capacity	
Sealing		Meets IP67 Standards	
Material		Alloy tool steel	
Finish		Electroless nickel plated	

⁽¹⁾ Note: Consult factory for higher capacities.



WIRING

FUNCTION	COLOR
+ Excitation	Red
- Excitation	Black
+ Output	Green
- Output	White

Les Balances LEDUC & THIBEAULT Inc.

Montréal : (514) 239-7060 Mercier : (450) 691-2111 Fax : (450) 691-6764
 visit our website at www.leduc-thibeault.com E-mail: info@leduc-thibeault.com