

## MODEL 65024

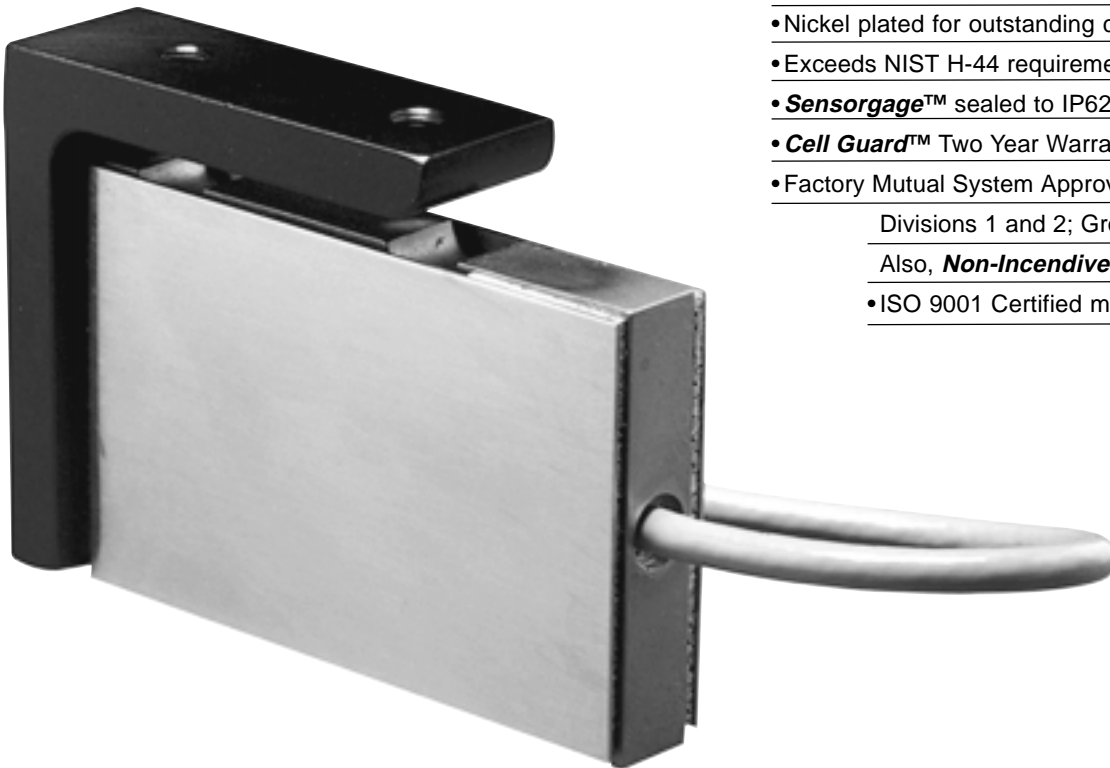
### LOW PROFILE SINGLE POINT LOAD CELL

#### APPLICATIONS

- Single-point platform scales
- Checkweighing scales
- Hopper scales and netweighing

#### FEATURES

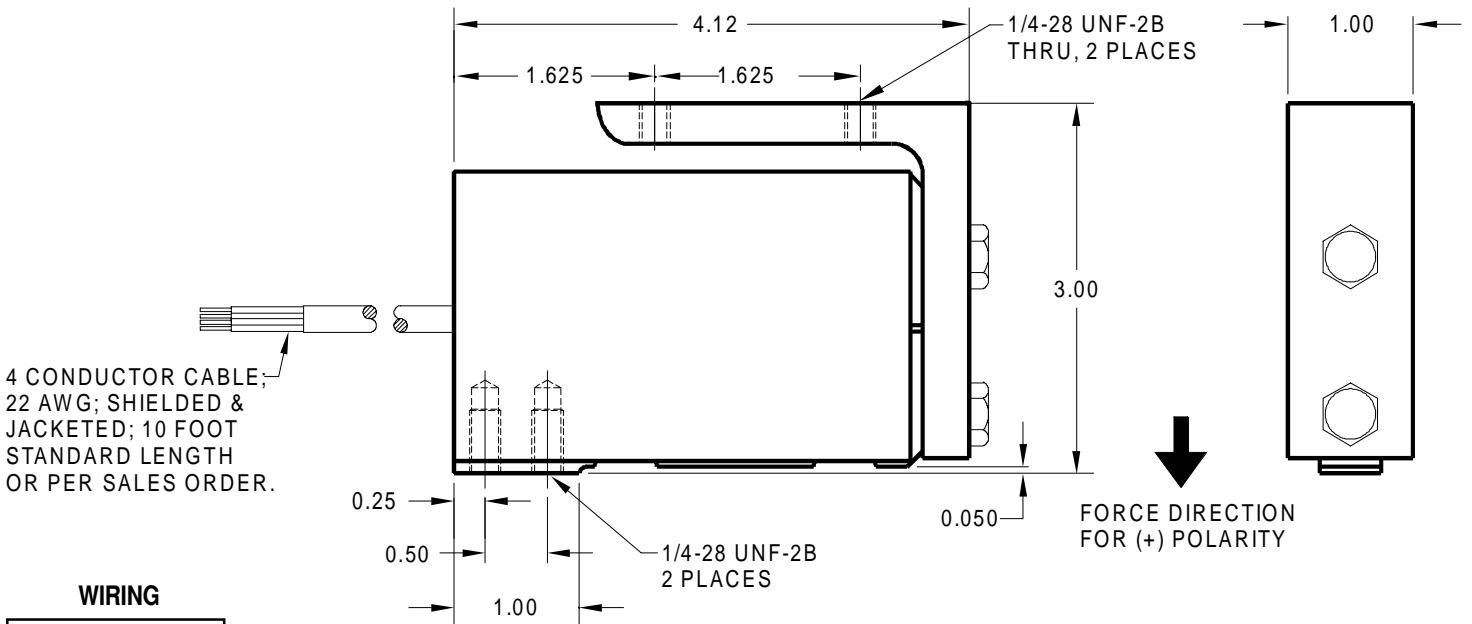
- Capacity ranges of 2 to 25 pounds
- Minimal sensitivity to moments induced by off-center loading
- High-quality alloy steel construction
- Nickel plated for outstanding corrosion resistance
- Exceeds NIST H-44 requirements
- **Sensorgage™** sealed to IP62 standards
- **Cell Guard™** Two Year Warranty
- Factory Mutual System Approved for Classes I, II, III;  
Divisions 1 and 2; Groups A through G.  
Also, **Non-Incendive** ratings (No Barriers!)  
• ISO 9001 Certified manufacturing facilities



# Model 65024 Performance Specifications

Rated Capacities (lbs): 2, 5, 10, 25  
 Full Scale Output (FSO): 2.0 mV/V +0.25% / -10%

Accuracy Class:	<u>Standard</u>
Combined Error % FSO	≤ .03
Non-Linearity % FSO	≤ .03
Hysteresis % FSO	≤ .02
Creep Error % FSO	≤ .025 in 20 minutes
Temperature Effect on:	
• Zero % FSO/°F	≤ 0.0015
• Output % of Load/°F	≤ 0.0008
Non-Repeatability % FSO	≤ .01
Zero Balance % FSO	≤ 2.0
Insulation Resistance	> 1000 Mohms at 50VDC
Compensated Temperature Range	14° to 104°F / -10° to 40°C
Operating Temperature Range	0° to 150°F / -18° to 65°C
Storage Temperature Range	-60° to 185°F / -50° to 85°C
Input Resistance	360-450 Ohms
Output Resistance	349-355 Ohms
Recommended Excitation Voltage	10 Volts DC
Maximum Excitation Voltage	15 Volts DC
Safe Overload	150% of Rated Capacity
Ultimate Overload	300% of Rated Capacity
Sealing	Meets IP62 Standards
Material	Alloy Tool Steel
Finish	Electroless Nickel Plated



Specifications are subject to change.  
 Certified drawings are available.

Les Balances LEDUC & THIBEAULT Inc.

Montréal : (514) 239-7060    Mercier : (450) 691-2111    Fax : (450) 691-6764  
 visit our website at [www.leduc-thibeault.com](http://www.leduc-thibeault.com)    E-mail: [info@leduc-thibeault.com](mailto:info@leduc-thibeault.com)