

MODEL 65016

DOUBLE-ENDED SHEAR BEAM LOAD CELL

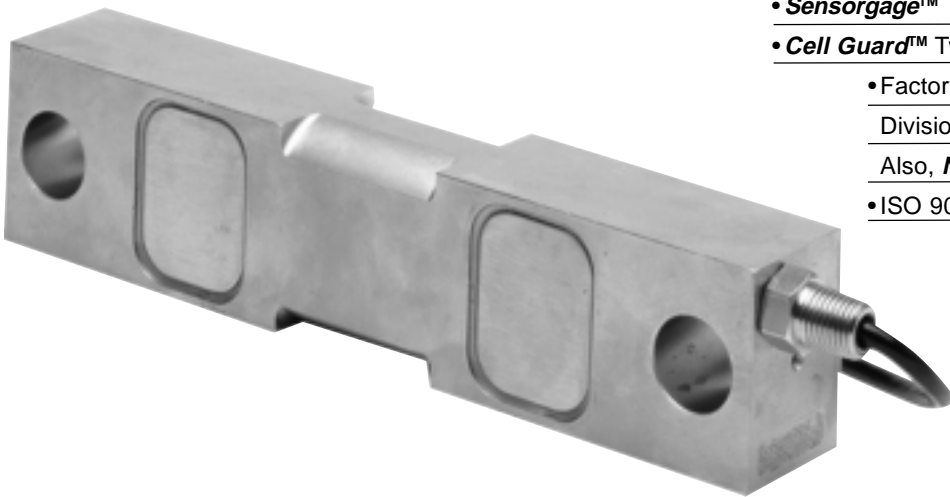
APPLICATIONS

- Tank, bin and silo weighing
- Batching, blending and mixing systems
- Level and inventory monitoring

FEATURES

- Rated capacities of 1,000 to 300,000 pounds
- Insensitive to side loads and bending moments
- High output - well suited to high deadload/low liveload applications
- Load cells have matched outputs for multi-cell systems
- Excellent combined error and repeatability
- Integral conduit adaptor
- Weighing assemblies available
- Extended temperature ranges available to 400°F/200°C
- **Sensorgage™** sealed to IP67 standards
- **Cell Guard™** Two Year Warranty

- Factory Mutual System Approved for Class I, II, III; Divisions 1 and 2; Groups A through G. Also, **Non-Incendive** ratings (No Barriers!).
- ISO 9001 Certified manufacturing facilities



65016-0104W



65016-TWA

ISO
9001

Factory
Mutual
System
Approved



Les Balances LEDUC & THIBEAULT Inc.

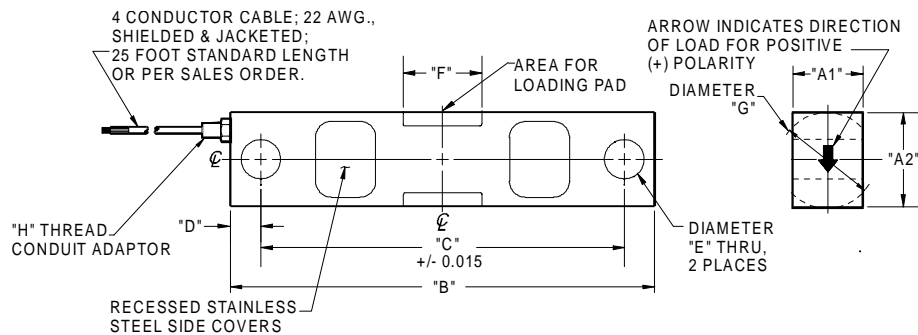
Montréal : (514) 239-7060 Mercier : (450) 691-2111 Fax : (450) 691-6764
visit our website at www.leduc-thibeault.com E-mail: info@leduc-thibeault.com

Model 65016 Performance Specifications

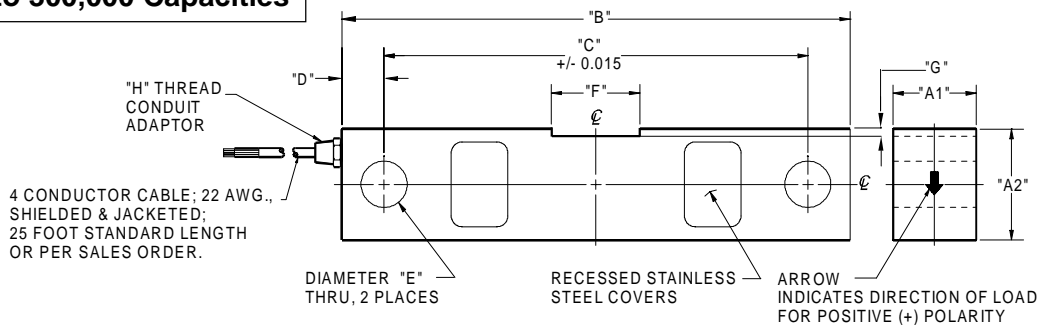
Rated Capacities (lbs): 1K, 1.5K, 2.5K, 5K, 10K, 15K, 25K, 35K, 50K, 75K, 100K, 125K, 200K, 300K
 Full Scale Output (FSO): 3.0 mV/V \pm 0.25%

Accuracy Class:	<u>Standard</u>	Accuracy Class:	<u>Standard</u>
Combined Error % FSO	$\leq .03$	Storage Temp. Range	-60° to 185°F / -50° to 85°C
Non-Linearity % FSO	$\leq .03$	Input Resistance	686-714 Ohms
Hysteresis % FSO	$\leq .02$	Output Resistance	699-707 Ohms
Creep Error % FSO	≤ 0.03 in 20 minutes	Recommended Excitation Voltage	15 Volts DC
Non-Repeatability % FSO	$\leq .01$	Maximum Excitation Voltage	25 Volts DC
Zero Balance % FSO	≤ 1.0	Safe Sideload	100% of Rated Capacity
Insulation Resistance	> 1000 Mohms at 50VDC	Safe Overload	150% of Rated Capacity
Temperature Effect on:		Ultimate Overload	300% of Rated Capacity
• Zero % FSO/°F	≤ 0.0015	Sideload Rejection Ratio	500:1
• Output % of Load /°F	≤ 0.0008	Sealing	Meets IP67 Standards
Compensated Temp. Range	14° to 104°F / -10° to 40°C	Material	Alloy Tool Steel
Operating Temp. Range	0° to 150°F / -18° to 65°C	Finish	Electroless Nickel Plated

1,000 to 50,000 Capacities



75,000 to 300,000 Capacities



CAPACITY	A1	A2	B	C	D	E	F	G	Thread	Deflection	Weight
1K - 5K	1.25	1.25	7.50	6.25	0.62	0.50	1.22	1.25	1/4-18NPT	0.017	3.0
10K - 25K	1.44	1.94	8.75	7.50	0.62	0.81	1.62	1.99	1/4-18NPT	0.022	8.0
35K	1.50	2.50	8.75	7.50	0.62	0.81	1.62	2.50	1/4-18NPT	0.036	27.0
50K	2.44	2.94	13.50	11.50	1.00	1.31	3.25	2.99	1/2-14NPT	0.052	27.0
75K	2.44	2.94	13.50	11.50	1.00	1.31	3.12	0.18	1/2-14NPT	0.070	55.0
100K - 125K	2.94	3.94	18.50	15.00	1.75	1.63	3.25	0.25	1/2-14NPT	0.090	55.0
200K	3.80	5.80	20.50	17.00	1.75	2.13	4.13	0.50	1/2-14NPT	0.090	110.0
300K	3.80	5.80	23.50	18.75	2.38	2.63	5.13	0.50	1/2-14NPT	0.090	110.0

Dimensions are in inches. Capacities are in pounds. Deflection is $\pm 10\%$. Specifications are subject to change. Certified drawings are available.

WIRING

FUNCTION	COLOR
+ Excitation	Red
- Excitation	Black
+ Output	Green
- Output	White

Les Balances LEDUC & THIBEAULT Inc.

Montréal : (514) 239-7060 Mercier : (450) 691-2111 Fax : (450) 691-6764
 visit our website at www.leduc-thibeault.com E-mail: info@leduc-thibeault.com