

## MODEL 60060

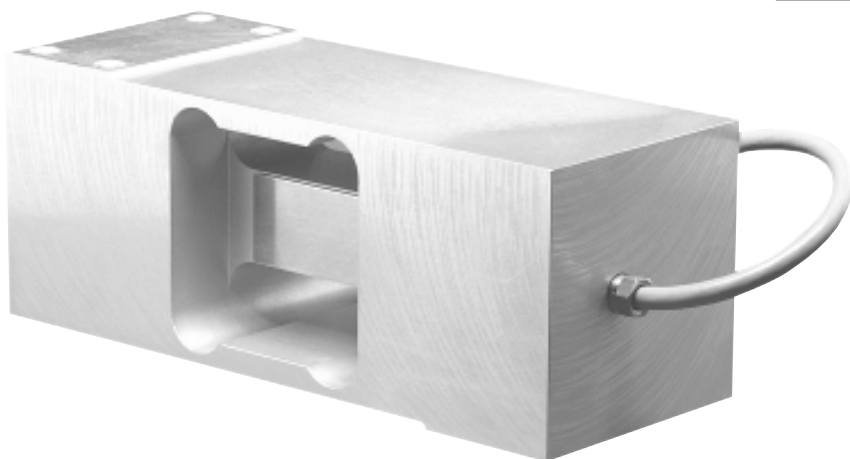
### LOW PROFILE PLATFORM LOAD CELL

#### APPLICATIONS

- Single-point platform scales
- Belt conveyor scales
- Bench and counting scales
- Checkweighing scales
- Hopper scales and netweighing

#### FEATURES

- Rated capacities of 100 to 2,000 pounds
- Unique shear beam design
- Moment-compensated design for minimal sensitivity to moments induced by off-center loading
- Ideal for situations exceeding the capabilities of similar "brick" design load cells
- Trade certified for NTEP Class III:5,000 Divisions; Class IIII:10,000 divisions and OIML R60 3,000 divisions
- **Sensorgage™** sealed to IP67 standards
- **Cell Guard™** Two Year Warranty
- Factory Mutual System Approved for Classes I, II, III; Divisions 1 and 2; Groups A through G. Also, **Non-Incendive** ratings (No Barriers!)
- ISO 9001 Certified manufacturing facilities



Les Balances LEDUC & THIBEAULT Inc.

Montréal : (514) 239-7060    Mercier : (450) 691-2111    Fax : (450) 691-6764  
visit our website at [www.leduc-thibeault.com](http://www.leduc-thibeault.com)    E-mail: [info@leduc-thibeault.com](mailto:info@leduc-thibeault.com)

# Model 60060 Performance Specifications

Rated Capacities (lbs): 100, 250, 500, 750, 1K, 2K

Full Scale Output (FSO): 2.0 mV/V  $\pm$ 10%

Accuracy Class:	Standard	NTEP III <sup>(1)</sup>	NTEP III L <sup>(1)</sup>	OIML R60 <sup>(1)</sup>
Max. No. Verification Intervals	--	5,000 Multiple	10,000 Multiple	3,000
Combined Error % FSO	$\leq 0.03$	--	--	--
Non-Linearity % FSO	$\leq 0.03$	--	--	--
Hysteresis % FSO	$\leq 0.02$	--	--	--
Creep Error % FSO	$\leq 0.03$ in 20 minutes	--	--	--
Temperature Effect on:				
• Zero % FSO/°F	$\leq 0.0015$	--	--	--
• Output % of Load/°F	$\leq 0.0008$	--	--	--
Non-Repeatability % FSO		$\leq .01$		
Zero Balance % FSO		$\leq 1.0$		
Insulation Resistance		> 1000 Mohms at 50VDC		
Compensated Temperature Range		14° to 104°F / -10° to 40°C		
Operating Temperature Range		0° to 150°F / -18° to 65°C		
Storage Temperature Range		-60° to 185°F / -50° to 85°C		
Input Resistance		400 Ohms Nominal		
Output Resistance		349-355 Ohms		
Recommended Excitation Voltage		10 Volts DC		
Maximum Excitation Voltage		15 Volts DC		
Sideload Rejection Ratio		500:1		
Safe Sideload		100% of Rated Capacity		
Safe Overload		150% of Rated Capacity		
Ultimate Overload		300% of Rated Capacity		
Sealing		Meets IP67 Standards		
Material		Aluminum		
Finish		Natural		
Moment Compensation:	<u>250 - 1,000 lbs.</u>		<u>2,000 lbs.</u>	
• Moment Sensitivity (lbs - inch)	$\leq 0.005\%$ of applied load		$\leq 0.005\%$ of applied load	
• Maximum Moment (lbs - inch)	10 x Capacity		10,000	
• Platform Size (inch)	30 x 30		30 x 30	

<sup>(1)</sup> Note: 250 to 2K Capacities Only

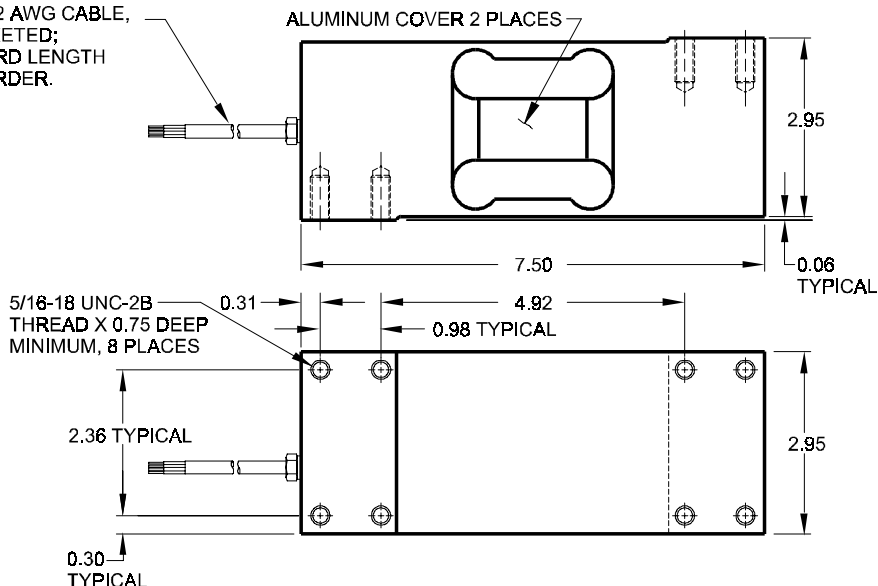
## WIRING

FUNCTION	COLOR
+ Excitation	Red
- Excitation	Black
+ Output	Green
- Output	White

CAPACITY	Deflection	Weight
100 - 250	0.010	6.0
500 - 2K	0.006	6.0

Dimensions are in inches. Capacities are in pounds. Deflection is  $\pm$ 10%. Specifications are subject to change. Certified drawings are available.

4 CONDUCTOR; 22 AWG CABLE, SHIELDED & JACKETED; 10 FOOT STANDARD LENGTH OR PER SALES ORDER.



Les Balances LEDUC & THIBEAULT Inc.

Montréal : (514) 239-7060    Mercier : (450) 691-2111    Fax : (450) 691-6764  
 visit our website at [www.leduc-thibeault.com](http://www.leduc-thibeault.com)    E-mail: [info@leduc-thibeault.com](mailto:info@leduc-thibeault.com)