

FAIRBANKS®

AEGIS® TRANSPORT SCALES



Fairbanks' Aegis® Transport Scale is designed for drum or general industrial weighing applications. Its built-in, two-wheel design allows for easy portability — just tilt the scale back and move it to the next location. Combine the Transport with a Fairbanks battery-powered instrument for the most portable scale available.

FEATURES

- Low profile, 1.5" platform height for easy load introduction.
- Unique handle makes tilting and rolling an easy task.
- Large 8" diameter wheels provide smooth mobility.
- Washdown model features drain hole and continuous welds.
- Bubble level for instant visual accuracy confirmation.
- Smooth deck plate for easy clean-up.
- Platform utilizes the latest load cell technology:
 - Patented load cell that never requires maintenance.
 - IP69K-rated load cells (standard on stainless model, optional on mild steel model) eliminates washdown and spillage concerns.
 - Unique load introduction offers the highest degree of accuracy and repeatability in the market.

APPLICATIONS

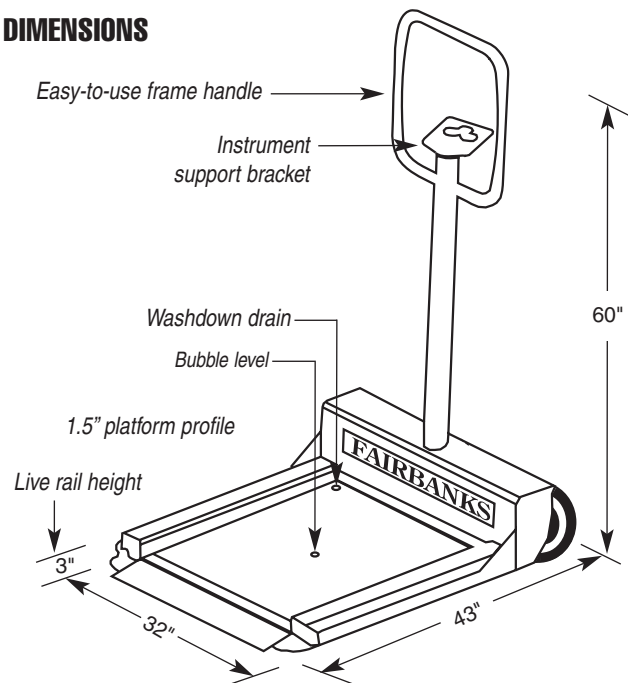
- Chemical
- Food & beverage
- Manufacturing
- Pharmaceutical
- Scrap or recycling
- Textile

SPECIFICATIONS

Transport Scale:

| | |
|------------------------------|--|
| Capacities (lbs) | 500, 1000, 2000, 2500 |
| Overall dimensions | 32" x 43" x 60" |
| Platform | |
| Size | 24" x 30" |
| Height | 1.5" (3" live side rail) |
| Finish | Smooth plate |
| Endloading | 100% of capacity on all models except 2500 lb. capacity, which is rated at 80% |
| Cable length | Platform to instrument = 7 feet |
| Cable protection | PVC jacketed |
| Construction | Mild steel with black enamel finish; Type 304 PH stainless steel, brushed |
| Accessories | NEMA 4X J-box; intrinsically safe controller; IP69K load cells optional - mild steel scale |
| Approvals | NTEP CC# 08-044; MC #AM-5674 |
| Load cell: | |
| Capacity | 500 and 1000 lbs |
| Excitation voltage | 5 to 15 VDC |
| Construction | 17-4 PH stainless steel |
| Sealing | IP67 (mild steel scale); IP69K (stainless scale) |
| Approvals | FM; NTEP CC# 06-065 (mild steel scale); NTEP CC# 04-102 (stainless steel scale) |

DIMENSIONS



QuickFacts™

Models and specifications subject to change without notice.
Printed in the USA. © Fairbanks Scales Inc.

Call toll-free for the Fairbanks representative nearest you:

(800) 451-4107

Internet Address: <http://www.Fairbanks.com>