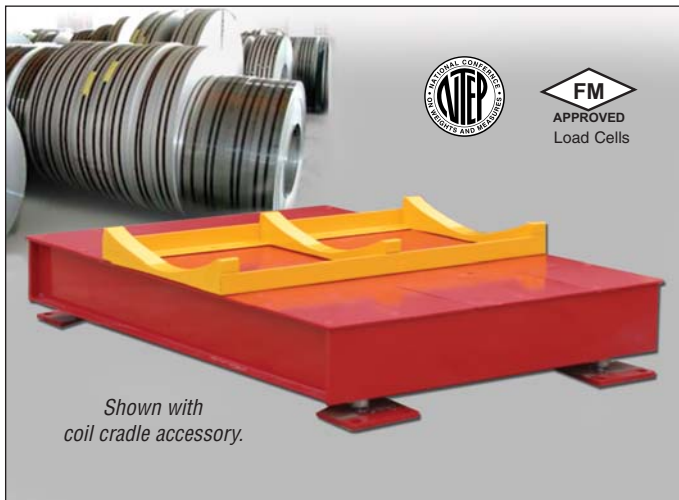


FAIRBANKS®

AEGIS® COIL SCALES



Shown with coil cradle accessory.

The Aegis® Coil Scale design is superior to all competitive offerings and is ideal for weighing steel, aluminum and copper coils, as well as billets, castings and cable spools.

DESIGNED TO MEET CUSTOMER DEMANDS

Fairbanks Scales' extensive customer base was researched to determine the "key" elements required for an ideal coil scale. Fairbanks considered the following customer research issues when customizing its new Aegis® Coil Scale for coil scale users: durability, reliability, accuracy and speed.

DURABILITY

"The steel industry breaks components that "can't" break."

Fairbanks' Aegis® Coil Scale offers more built-in protection measures than any other coil scale manufactured. These measures include:

- Half-inch thick plate material to reinforce the weighing surface.
- Overload protection rating of 300 percent.
- Side load protection rating of 100 percent.
- Load cells with the highest ingress protection available (IP69K).

RELIABILITY

"When a critical component breaks, we can lose more than \$10,000 an hour."

Fairbanks' Aegis® Coil Scale design involves minimal components to reduce potential for component failure. Its durability is also reinforced by Fairbanks load cell technology.

ACCURACY

"Every ounce of product matters."

Fairbanks' Aegis® Coil Scale features a free-floating platform and rocker column load cell design that ensures repeatable and extremely accurate weighments for the life of the scale.

KEEPING OPERATIONS MOVING

"The more we reduce the time spent moving the product, the more it increases in value."

Fairbanks' Aegis® Coil Scale has the highest number of division sizes available for a commercial, legal-for-trade coil scale. Since this is the ultimate NTEP-approved coil weighing device, material handling time is greatly reduced because coils will never have to be moved to another scale for "approved" weighing. This scale can also be installed next to your coiler for quick and convenient weighing.

SPECIFICATIONS

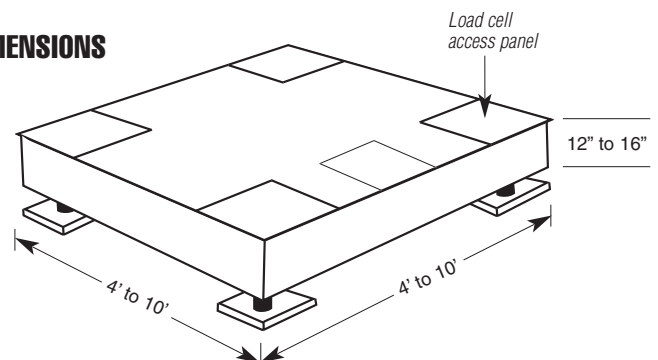
FLOOR SCALE:

Capacities	30,000 lbs. to 80,000 lbs.
Platform	
Sizes	4' x 4' to 10' x 10'
Height	12" to 16"
Finish	Smooth tread
Deck thickness	1/2" plate
J-Box	Analog, stainless steel, NEMA 4X
Overload capacity	300% of rated scale capacity
Sideload capacity	100% of scale capacity
Cable length	Platform to instrument = 31 feet
Construction	Type A36 carbon steel
Finish	Red epoxy ester enamel
Approval	NTEP CC# 07-097
Accessories	Cradle, lifting eyebolts, intrinsically safe controller, smart sectional controller, QMB

LOAD CELL:

Capacity	15,000 - 50,000 lbs
Excitation Voltage	5 to 15 VDC
Construction	17-4 PH stainless steel
Sealing	IP69K
Approval	Factory Mutual

DIMENSIONS



QuickFacts™

Models and specifications subject to change without notice.
Printed in the USA. © Fairbanks Scales Inc.

Call toll-free for the Fairbanks representative nearest you:

(800) 451-4107

Internet Address: <http://www.Fairbanks.com>

08/08

100171