



Adventurer™ Pro

Precision Electronic Balances



Introducing the Ohaus Adventurer™ Pro – The Latest in the Adventurer Line of Precision Balances.

Designed for use in laboratory, industrial or education applications, the Ohaus Adventurer™ Pro continues the tradition set by the original Ohaus Adventurer series. Featuring easy-to-use four-button operation with intuitive man-machine interface, a new 2-line brilliant backlit display, multiple weighing units, seven application modes, and RS232 connectivity, the Adventurer Pro is the precision balance for your needs!

- **Multiple Weighing Units** – Including milligrams, grams, kilograms, pounds, ounces, user programmable custom unit, carats, Troy ounces, Newtons, tals (3), grains, tolas, ticals, baths, mesghals, and pennyweights
- **Multiple Application Modes** – Including enhanced parts counting, below-balance weighing, animal/dynamic weighing, checkweighing, percentage weighing, totalization, and display hold application modes
- **Easy to Use** – Adventurer Pro is a snap to operate! Features include a 2-line alphanumeric backlit LCD, text prompts and simple four key operation that allows for quick switching between modes and weighing units
- **Included RS232 Interface** – Allows data connection to PC or printer
- **Battery or AC Power** – Uses 4 "AA" batteries with an auto shut-off feature or can be run on the included AC powerpack
- **Integral Weigh-Below Hook** – Critical for density or specific gravity determination
- **GLP/GMP Data** – Complete built-in GLP/GMP capabilities including date, time, balance serial number, user ID/project ID, and results

Adventurer™ Pro Precision Balances

Built-In Application Modes:

Parts Counting – The Adventurer Pro is designed for counting parts for inventory control, parts bagging, receiving, dispensing and ticket counting

- Select from any sample size while in counting mode with a quick button press.
- Unlike other brands, the Adventurer Pro features user-enabled automatic recalculation of the average piece weight – instead of counting 100 parts for a sample, count 10 and let the Adventurer Pro count the rest of the sample for you!

Percent Weighing – Use the *Percent Weighing* mode to compare samples for compounding, formulation, or quick weight checking. Place your reference weight on the platform, press a key, and the display will show in percent the ratio between the sample weight on the platform, and the reference weight in memory.

Totalization – Use the Adventurer Pro's memory function to repeatedly sum the weight on the platform for compounding and formulation. Unlike other balances, the Adventurer Pro allows totalization up to the limit of the display!

Display Hold – The *Display Hold* mode allows you to retain the weight of an over-sized package on the Adventurer Pro's display until cleared. Great for postal and shipping applications!

Checkweighing – The *Checkweighing* function verifies a sample against a target weight within the tolerances you select.

Animal/Dynamic Weighing – Adventurer Pro's *Animal/Dynamic Weighing* function can compensate for dynamic effects such as shock, impact loading, system vibrations and oscillations from the load in order to provide a stable indication.

User-Configurable – The Adventurer Pro allows you to select the active weighing units and modes using the four-button keypad. Unlike other brands, there are no cryptic codes to input, and the Adventurer Pro can be quickly configured using text prompts. The Adventurer Pro features a custom weighing unit capability, which you can program.



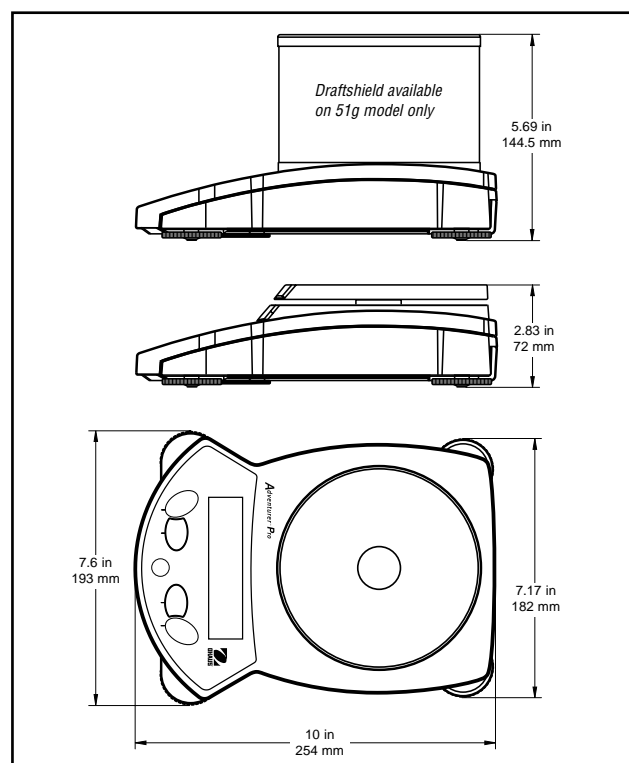
New Design for Portable or Benchtop Use



Adventurer Pro
with Square Platform
(5.8 x 6.3 in / 14.9 x 16.2 cm)

410g x 0.01g
810g x 0.01g
2100g x 0.1g
4100g x 0.1g
8100g x 0.1g

Adventurer Pro
with Round Platform
51g x 0.001g*
(3.9 in / 10 cm diameter)
*draftshield included
210g x 0.01g
(4.7 in / 12 cm diameter)



Ohaus Adventurer Pro: Models and Weighing Units for Every Application.

- Parts Counting and Bagging
- Education Experiments
- Ink and Paint Mixing
- Production Line and Process Checking
- Animal Testing
- Recordkeeping
- Mixing, Compounding and Formulation
- Sample Analysis
- Jewelry Stores and Pawn Shops
- Quality Control and Assurance
- Diet/Portion Control
- GMP/GLP Output
- Food Portioning and Packaging
- Shipping and Receiving
- Field Use
- Inventory
- Powder Weighing

The Adventurer Pro features the most common weighing units required for use in the lab, on the shop floor, or in the field:

- Milligrams
- Grams
- Kilograms
- Pounds
- Ounces
- Carats
- Troy Ounces
- Newtons
- Grains
- Mommies
- Taels (3)
- User Programmable Custom Unit
- Tolas
- Ticals
- Bahts
- Mesghals
- Pennyweights

Security Bracket

Each Adventurer Pro features an integrated security bracket to prevent theft. Shown with optional lock.



Round or Square Stainless Steel Platform

Removable for easy cleaning. A round draftshield is standard on the milligram model.

Connectivity

Adventurer Pro comes with internal RS232 communications port. A second RS232 port is available as a factory installed option!



Easy to View

2-line alphanumeric LCD with brilliant backlight and text prompts quickly displays weight, parts count, and indicators for stability, overload/underload conditions, and low battery. The Adventurer Pro display allows for simultaneous viewing of reference and actual weight



AC or Battery Power

Adventurer Pro can operate on either the included AC wallpack, or on 4 "AA" batteries with Auto Shutoff software



Weigh-Below Hook

The integral weigh-below hook on the bottom of the Adventurer Pro allows density determination or calculating the specific gravity of samples



Easy to Clean

Adventurer Pro has a sealed front panel and molded spill ring. An in-use cover is included

Easy to Use

Every Adventurer Pro features four-button input with enhanced software, user prompts and quick switching between weighing units and modes

Leveling Feet for quick set-up

Standard on all Adventurer Pro models

Adventurer™ Pro Precision Balances

Specifications

Capacity (g)	51*	210	410	810	2100	4100	8100
Readability (g)	0.001		0.01			0.1	
Repeatability (Std. dev.) (g)	0.001		0.01			0.1	
Linearity (g)	± 0.002		± 0.02			± 0.2	
Weighing Units	Milligram, Gram, Kilogram, Pound, Ounce, User Programmable Custom Unit, Carat, Troy Ounce Pennyweight, Grain, Newton, Hong Kong Tael, Singapore Tael, Taiwan Tael, Momme, Tical, Baht, Mesghal, Tola						
Application Modes	Weighing, Animal/Dynamic Weighing, Parts Counting with Automatic Sample Recalibration, Percent Weighing, Checkweighing, Totalization, Display Hold						
Tare Range	To Capacity by Subtraction						
Stabilization Time (seconds)	2.5	1.5	3			2	
Operating Temperature Range	50° - 86°F / 10° - 30°C						
Power Requirements	AC Adapter (included) or 4 "AA" Batteries (not included)						
Calibration	Digital with External Weight						
Display Type	2-line Alphanumeric Brilliant Backlit LCD Display with Text Prompts						
Display Size (in/cm)	4 x 1 / 10 x 2.5						
Pan Size (in/cm)	3.9 / 10 dia.	4.7 / 12 dia.	5.8 x 6.3 / 14.9 x 16.2				
Dimensions WxHxD (in/cm)	7.5 x 5.6 x 10 / 19.3 x 14.4 x 25.4	7.5 x 2.8 x 10 / 19.3 x 7.2 x 25.4					
Net Weight (lb/kg)	3.1 x 1.4	2.6 / 1.2	3.3 / 1.5			3.5 / 1.6	
Shipping dimensions (in/cm)	10.9 x 10.4 x 15.2 / 27.6 x 26.5 x 38.5	10.9 x 6.3 x 15.2 / 27.6 x 16 x 38.5					
Shipping Wt. (lb/kg)	9.7 / 4.4	8.4 / 3.8	9.2 / 4.2			9.5 / 4.3	
Item Number	AV53	AV212	AV412	AV812	AV2101	AV4101	AV8101

*Draftshield included

Standard Features/Equipment

Large stainless steel weighing platform, 2-line backlit LCD, bi-directional RS232 interface, leveling system, in-use cover, integral security bracket, integral weigh-below hook, GLP/GMP data output options, adjustable environmental settings, stability indicator, overload and underload indicators, low battery indicator, auto shut-off, AC adapter. Draftshield provided with AV53 model.

Optional Accessories

Model SF42 Impact Printer, RS232 Cable to SF42 Printer, RS232 9-Pin Serial Extension Cable, TAL WinWedge Software, Security Device, Sample Scoops, Calibration Masses.

Industry Leading Quality and Support

All Ohaus Adventurer Pro balances are manufactured under an ISO 9001 Registered Quality Management System. Our rugged construction and stringent quality control have been hallmarks of all Ohaus products for nearly a century.

Ohaus Corporation

* 19A Chapin Road
P.O. Box 2033
Pine Brook, NJ 07058 USA

Tel: 800.672.7722
973.377.9000
Fax: 973.593.0359

www.ohaus.com

With offices throughout Europe,
Asia, and Latin America

* ISO 9001

Registered Quality Management System

LUS03-02 © Copyright Ohaus Corporation

