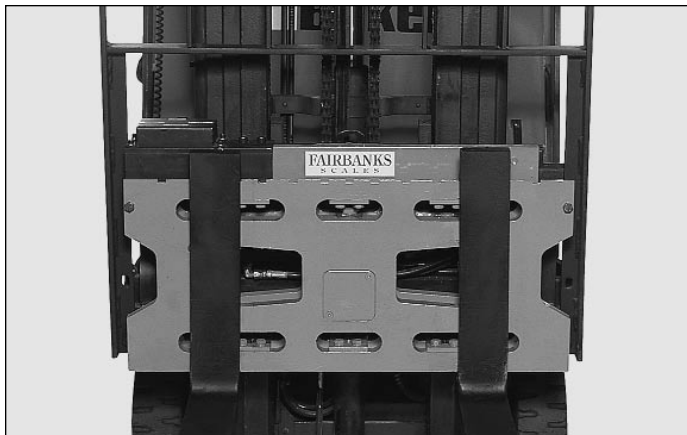


FAIRBANKS®

NON-COMMERCIAL FORK TRUCK SCALE, 5950 SERIES



Fairbanks' Non-Commercial Fork Truck Scale enables you to weigh on the go, on almost any lift truck, eliminating wasted time and effort and increasing your profits through more accurate product tracking.

EASE OF OPERATION

In one operation you can weigh, move and track materials. You get instant weight readings as soon as the forks are raised. You can also quickly check and tally shipments as you work.

FAST, ACCURATE AND SAFE

The 5950 Series instrument gives you immediate, accurate readings as soon as a load is lifted. It even correctly weighs loads at various fork length and width positions. These scales are also designed with safety in mind. Your view is not obstructed by the scale, giving you clear visibility of your load and your surroundings at all times.

CONTROLS AT YOUR FINGERTIPS

The indicator sits conveniently in the cab, allowing you easy access for product tracking and accumulated weights. Choose from the 5950 Series instrument, which offers simple weight data with an optional RS232C output, or the 5900 Series instrument which has a full numeric keypad, as well as an optional RS232C output.

DURABLE CONSTRUCTION

Fairbanks' 5950 Series Fork Truck Scales can withstand the punishing environments found in many industrial settings, from scrap yards, to foundries to shipping docks. Field replaceable steel flexures and rugged construction ensure that these scales will give you years of dependable service.

SPECIFICATIONS FOR THE 5950 SERIES INDICATOR

Capacity 4000 x 2 lbs up to 20,000 x 5 lbs
Accessories Tape Printer ACC 5915

SPECIFICATIONS FOR THE 5950 SERIES INDICATOR

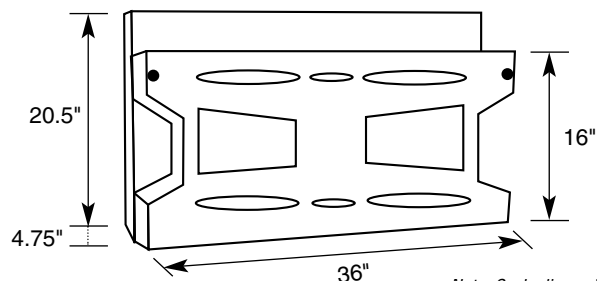
Model Number IND-5950
Enclosure 12 gage steel, NEMA 4 rated
Display Bright red LED 0.5-inch characters

SPECIFICATIONS FOR THE 5900 SERIES INDICATOR

Model Number IND-R5900
Enclosure 12 gage steel, NEMA 4 rated
Display 32-character, 2-line, 16 characters per line;
Backlit LCD

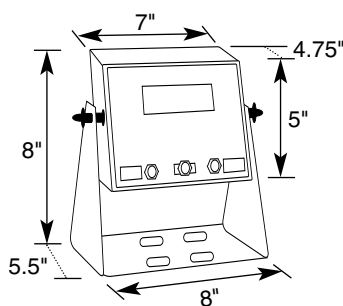
DIMENSIONS

5950 Series Fork Truck Scale

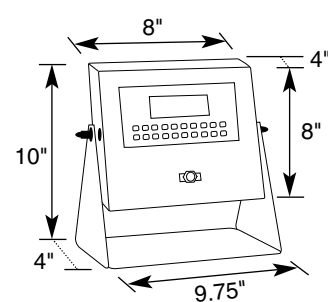


Note: Scale dimensions may vary by model or capacity.

5950 Series Indicator



5900 Series Indicator



QuickFacts™

Models and specifications subject to change without notice.
Printed in the USA on recycled paper. © Fairbanks Scales Inc.

Call your Fairbanks representative :

Les Balances Leduc & Thibeault Scales Inc.

Montréal : (514) 239-7060 Mercier : (450) 691-2111

12/98

100554