

# FAIRBANKS®

## 420 SERIES FORM PRINTER



The 420 Form Printer offers faster print speed and paper feed than any other printer in its class, with a printhead designed to last twice as long as competing dot matrix printers.

### FAST AND RELIABLE

When it comes to sheer print speed, the 420 Form Printer turns out a blazing 510 characters per second (cps) in high-speed draft print mode, 380 cps in utility mode and 95 cps in near-letter quality mode. These speeds are measurably faster than other 9-pin dot matrix printers. With a life expectancy of more than 400 million characters and a 7.5-million character long-life ribbon, you can rely on the 420 to get the job done.

### OPTIMAL OUTPUT FOR VARIED PAPER TYPES

The 420 features three separate paper paths with zero-tear/zero-print position, as well as the patented OKISMART paper handling system for hassle-free switching between paper types. No more paper jams or uneven print quality. For continuous smooth operation, the 420 reads and learns, automatically adjusting to the paper you feed it. With the 420, you get perfect output on single sheets, card stock, multi-part forms (up to six parts) and labels. What's more, envelopes print flawlessly, with no jams or smears.

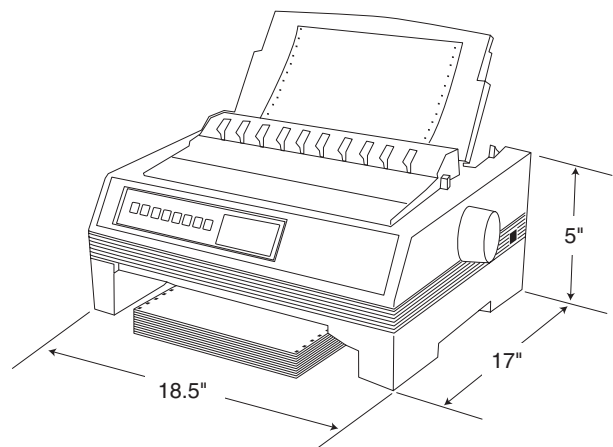
### COST SAVINGS FEATURES

The 420 Form Printer also saves money. This printer uses less power, works more efficiently and features a printhead with twice the life of ordinary dot matrix printers. You can also reduce paper costs with the optional bottom-pull tractor's zero-tear function, which allows printing on "difficult" media without wasting forms.

### SPECIFICATIONS

Printhead . . . . .	9 pin (.34 mm diameter) Serial impact dot matrix
Print speed . . . . .	95 cps near letter quality 380 cps utility 510 cps high speed draft
Maximum characters . .	80 (per line @ 10 cpi)
Standard interface . . .	Centronics® compatible parallel
Optional interface . . . .	RS-232C serial (X-on/X-off, Ready/Busy)
Resident typestyles . . .	Courier; Gothic (near letter quality)
Weight . . . . .	17.6 lb (8 kg)
Approvals . . . . .	Listed by the Underwriters Laboratory as complying with UL safety requirements
Paper handling:	
Number of sheets . . .	1-6 part forms
Cut sheets . . . . .	7.2" - 8.5" (18.3 - 21.6 cm) wide
Continuous forms . . .	3" - 10" (7.6 - 25.4 cm) wide
Card stock . . . . .	5" - 8" (12.7 - 20.3 cm) wide
Envelopes . . . . .	Single, 9.5" x 4.1" (24.1 cm x 10.4 cm)
Paths . . . . .	Rear and top standard; Bottom with optional pull tractor
Paper stock . . . . .	Blank 4-part tickets (case) order #96799 ; Blank 2-part tickets (case) order #96801

### DIMENSIONS



### QuickFacts™

Models and specifications subject to change without notice.  
Printed in the USA. © Fairbanks Scales Inc.

Call toll-free for the Fairbanks representative nearest you:

**(800) 451-4107**

Internet Address: <http://www.Fairbanks.com>

12/07

100467